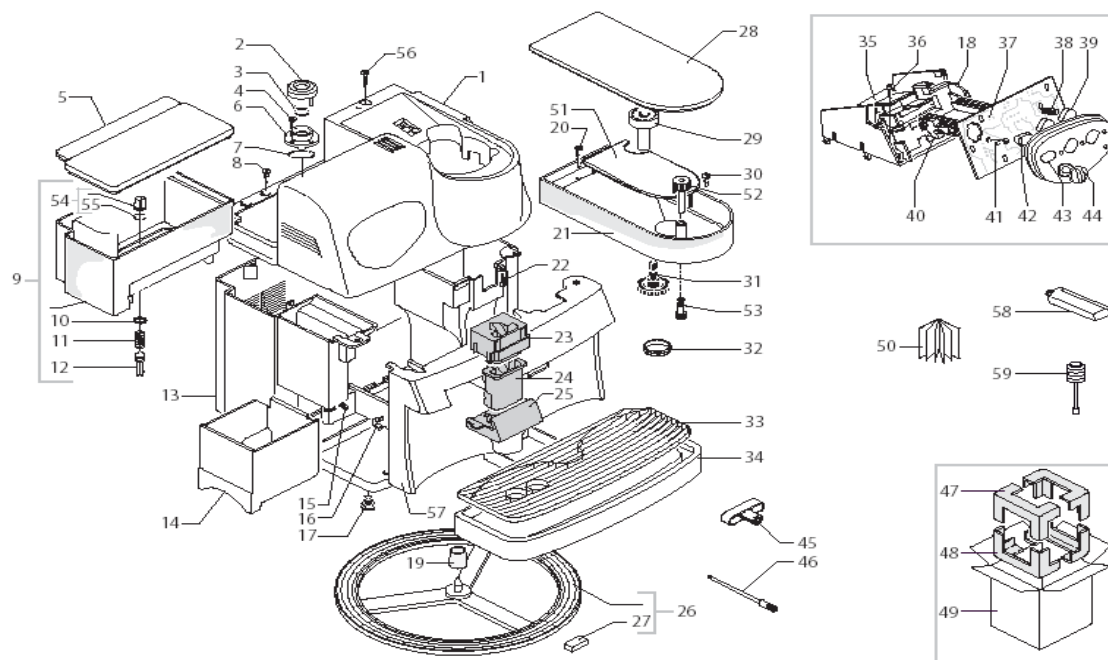
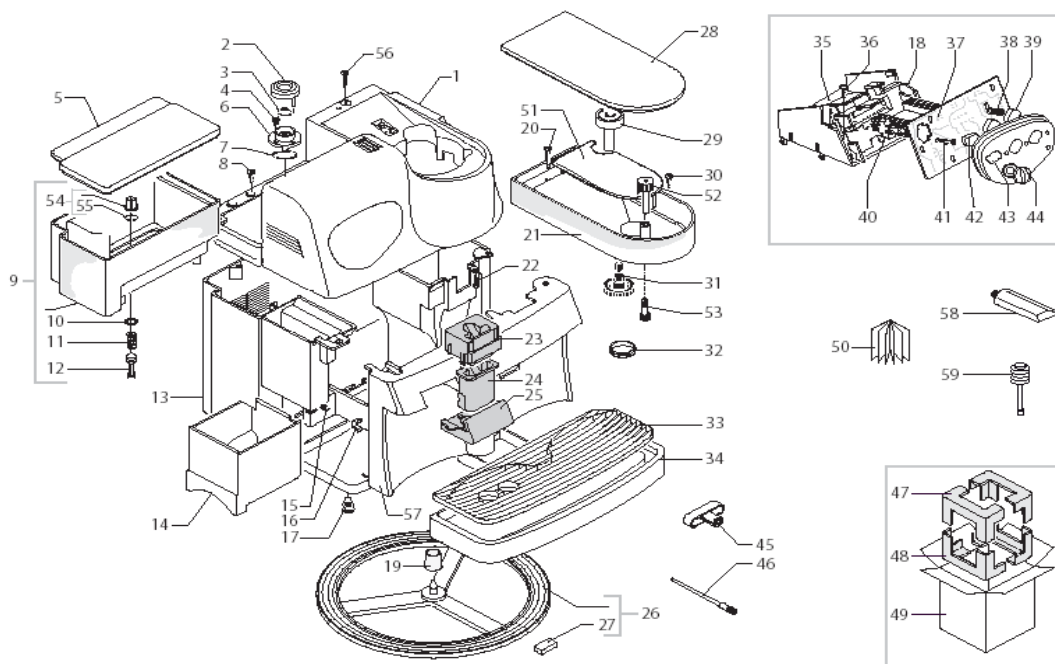


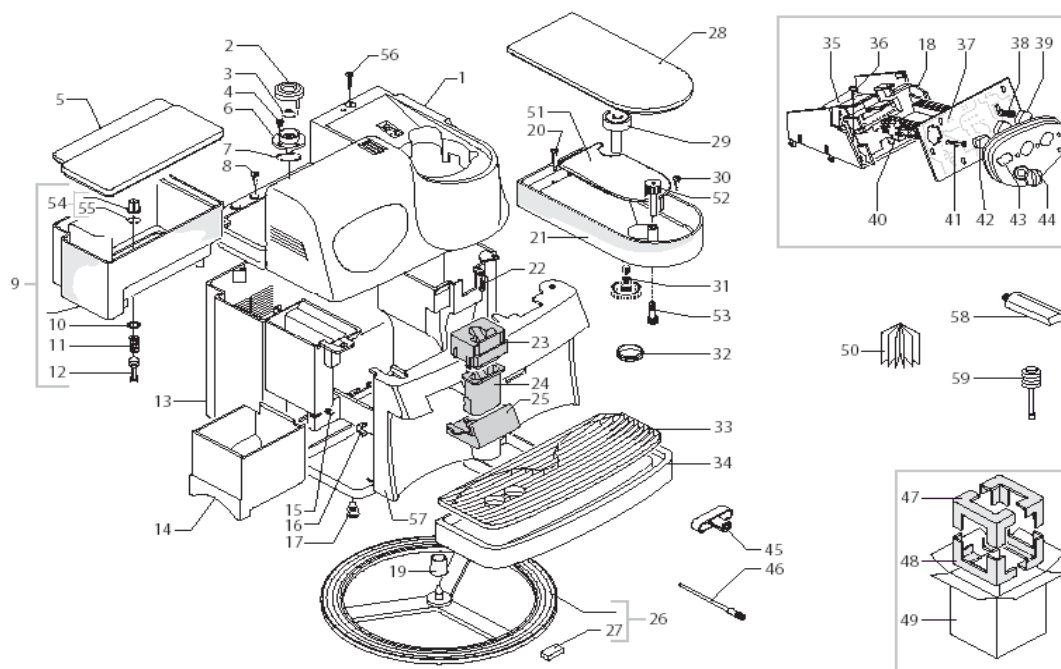
POS	SAECO No.	SUP018M Vienna Plus Silver E74019 Rev. 11 Code: 10003178	NOTES	Special Order No.
<b>Yellow = Not Available unless Special Ordered</b>				
1	#N/A	SILVER COVER M5000-SPIDEM		11006447
	#N/A	SILVER COVER M5000-SPIDEM S/SCR.VIENNA		11006586
	#N/A	MARB./CREAM COVER M5000-SPIDEM		142851220
	#N/A	DARK/BLUE COVER M5000-SPID.		11006446
	#N/A	BLUE COVER M5000-SPIDEM		222820184
	#N/A	AMARANTH COVER M5000-SPIDEM		222820190
	#N/A	YELLOW COVER M5000-SPIDEM		142851221
	#N/A	ANTRACITHE/GREY COVER M5000-SPIDEM		11006445
	#N/A	METAL BLACK COVER M5000-SPIDEM		142851253
	#N/A	GREY/7035 COVER M5000-SPIDEM		142851200
	#N/A	MEZZANOTTE COVER M5000-SPIDEM		11012405
	#N/A	MEZZANOTTE COVER M5000-SPID.		11021722
	#N/A	GREY/7035 COVER M5000-SPID.		142851200
	222820141	Cover, Trevi		
2	701031150	Cover, Wtr Tnk Valve, Inlet		
3	145842900	Gasket, Water Tank		
4	#N/A	SCREW TSP3,5X9,5 DIN 7982 SS		129535721
5	311008380	Lid, Water, Vienna Black		
	#N/A	SPIDEM/GREY WATER CONTAIN.LID M5000		0311.008.620
	#N/A	BLUE/5013 WATER CONTAINER LID M5000		0311.008.730
	311008580	Lid, Water, Silver		
	#N/A	AMARANTH WATER CONTAINER LID M5000		0311.008.520.A
	#N/A	DARK/BLUE WATER CONTAINER LID M5000		0311.008.730.A
	#N/A	MEZZANOTTE WATER CONTAINER LID M5000		11012394
6	701014150	Flange, Water Tank Valve		
7	90001054	Seal, Valve Container		
8	U143007	Screw, M2,9x19, Torx		
9	0311A05230	Water Tank, Vienna and Villa		
	#N/A	WATER CONTAINER AS.M5000 TRANS/GREY	SPIDEM TREVI JAP	222694080
10	NM01032	O-Ring, Rubber, 0060-30, Orm		
11	90001006	Spring, Water Tank Valve		
12	90001007	Piston, Water Tank Valve		
13	#N/A	GREY/3557 CASING M5000 + FEET ASSY.	WITH PA.№15-17-19	0311.A03.670
	0311A03580	Housing Assembly, W/Feet	WITH PA.№15-17-19	
	#N/A	MARB./CREAM CASING M5000 + FEET ASSY.	WITH PA.№15-17-19	0311.A03.600
	#N/A	AMARANTH CASING M5000 + FEET ASSY.	WITH PA.№15-17-19	0311.A03.520.A
	#N/A	DARK BLUE CASING M5000 + FEET ASSY.	WITH PA.№15-17-19	0311.A03.730.A
	#N/A	YELLOW CASING M5000 + FEET ASSY.	WITH PA.№15-17-19	0311.A03.270.A
	#N/A	ANTR/GREY CASING M5000 + FEET ASSY.	WITH PA.№15-17-19	0311.A03.110.A
	#N/A	MEZZANOTTE CASING M5000 + FEET ASSY.	WITH PA.№15-17-19	11012393
	#N/A	UNPAINTED CASING M5000 + FEET ASSY.	WITH PA.№15-17-19	11003887
14	311004580	Dump Box, Vienna Deluxe, Silv		
	#N/A	MARB./CREAM GROUNDS CONTAINER M5000		0311.004.600
	#N/A	GREY/3557 GROUNDS CONTAINER M5000		0311.004.670
	#N/A	DARK/BLUE GROUNDS CONTAINER M5000		0311.004.730.A



POS	SAECO No.	SUP018M Vienna Plus Silver E74019 Rev. 11 Code: 10003178	NOTES	Special Order No.
<b>Yellow = Not Available unless Special Ordered</b>				
14	#N/A	AMARANTH GROUNDS CONTAINER M5000		0311.004.520.A
	#N/A	YELLOW GROUNDS CONTAINER M5000		0311.004.270.A
	#N/A	ANTHR/GREY GROUNDS CONTAINER M5000		0311.004.110.A
	#N/A	MEZZANOTTE GROUNDS CONTAINER M5000		11012396
15	#N/A	MAGNET D.9MM		9991.105
16	#N/A	BRACKET FOR DOOR CLOSURE		311.020
17	147622850	Foot, Black Rubber, Vienna		
18	#N/A	ELECTRONICS BOARD PROTECTION M5000		147756600
19	145894700	Bushing, Swivel Base, Vienna		
20	129517103	Screw, M3.5X38, Bean Hopper		
21	#N/A	B.CONT.AS.W/SLOT W/O DOS ADJ .M500 120V		222710780
	#N/A	B.CONT.GREY W/O SLOT W/O DOS R.S50		142713180
	142713780	Bean Hopper, Vienna Line, Rs		
	#N/A	BEAN COFFEE CONTAINER GREY		142713680
22	129670202	Screw, M3.5x16, Tcb, D=8		
23	311022380	Dispensing Head, Top, Black		
	#N/A	SPIDEM/GREY FIXED DISPENSING CHANNEL		0311.022.620
24	311011380	Dispensing Head, Bottom, Vienn		
	#N/A	SPIDEM/GREY MOBILE DISPENSING CHANNEL		0311.011.620
25	311012380	Cover, Dispensing Head		
	#N/A	DISPENSING SUPPORT GREY SPIDEM		0311.012.620
	#N/A	MEZZANOTTE DISPENSER SUPPORT M5000		11012392
	#N/A	SILVER DISPENSER SUPPORT M5000		11022221
26	301057150	Swivel Base, Magic/Royal		
27	#N/A	BLACK FOOT FOR REVOLVING RING		147622150
28	L311009380	Lid, Bean, Vienna Black		
	#N/A	SPIDEM/GREY COFFEE CONTAINER LID M5000		0311.009.620
	#N/A	BLUE/5013 COFFEE CONTAINER LID M5000		0311.009.730
	311009580	Lid, Beans, Silver M5000		
	#N/A	AMARANTH COFFEE CONTAINER LID M5000		0311.009.520.A
	#N/A	DARK/BLUE COFFEE CONTAINER LID M5000		0311.009.730.A
	#N/A	MEZZANOTTE COFFEE CONTAINER LID M5000		11012395
29	9141051490	Knob, Grinder Adjustment		
30	U109029	Screw, M3.5X32, Profimat		
31	146000850	Gear, Grinder Adjustment		
32	9161270	Gasket, Bean Hopper		
33	311010380	Grill, Drip Tray, Black, Vienn		
	#N/A	GRATE M5000 GREY SPIDEM		0311.010.620
	#N/A	GRATE M5000 BLUE/5013		0311.010.730
	#N/A	GRATE M5000 SILVER		0311.010.580
34	311005380	Drip Tray, Vienna Black		
	#N/A	SPIDEM/GREY DRIP TRAY M5000		0311.005.620
	#N/A	GREY/3557 DRIP TRAY M5000		0311.005.670
	#N/A	BLUE/5013 DRIP TRAY M5000		0311.005.730

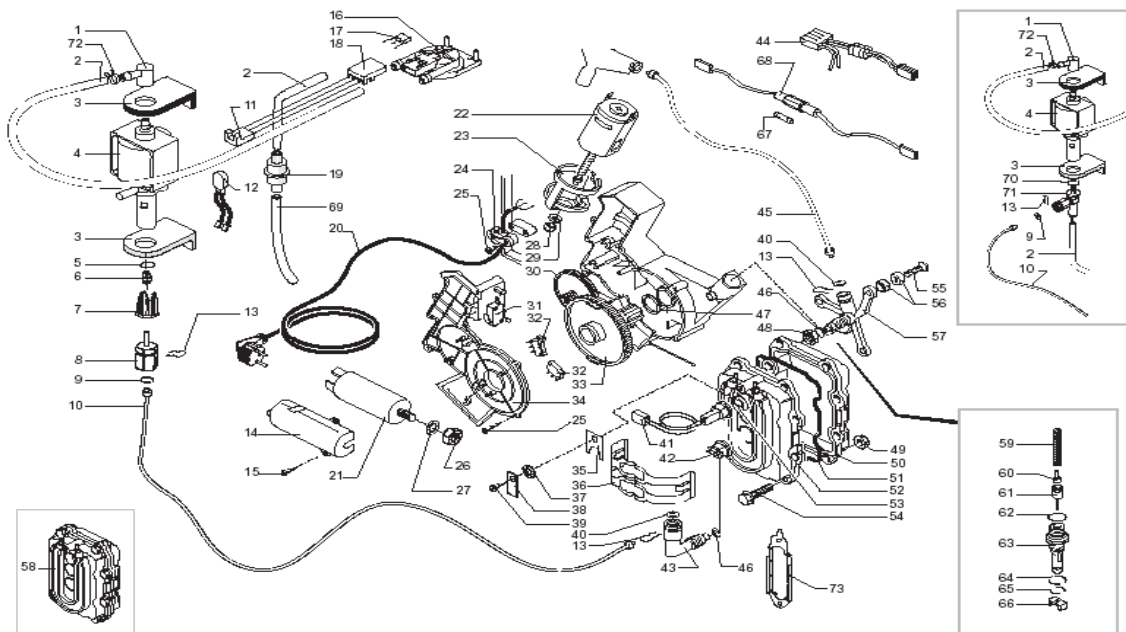


POS	SAECO No.	SUP018M Vienna Plus Silver E74019 Rev. 11 Code: 10003178	NOTES	Special Order No.
<b>Yellow = Not Available unless Special Ordered</b>				
34	311005580	Drip Tray, Vienna Deluxe Silve		
	#N/A	AMARANTH DRIP TRAY M5000		0311.005.520.A
	#N/A	CHROMED DRIP TRAY M5000		0311.005.220.A
	#N/A	DRIP TRAY M5000 CHROMED TREVI BLUE DARK		229631288
	#N/A	MEZZANOTTE DRIP TRAY M5000		11012409
35	#N/A	BLACK SUPP. FOR ELECTRONIC CARD M5000		11006299
	#N/A	GREY SUPP. FOR ELECTRONIC CARD M5000		0311.017.150
36	#N/A	PANELVIT TCB SCREW 3,5X12 D.7505 Z		129660902
37	181565555	Pcb, Cpu, Psb, 120V, Old Boile		
37	181554655	Pcb, Cpu, Psb, 120V,New Boiler		
38	#N/A	SPRING FOR FUNCTION BUTTON		9161.220
39	#N/A	MET.BLACK FUNCTION BUTT. M5000-COMTES.		0324.002.380
	#N/A	GREY SPIDEM FUNCT.BUTT. M5000-COMTES		0324.002.620
	#N/A	BLUE/5013 FUNCTION BUTT. M5000-COMTES.		0324.002.730
	#N/A	SILVER FUNCTION BUTTON M5000-COMTES.		0324.002.580
40	186076255	Switch, On/Off, Vienna		
41	129660202	Screw, M3X12, Bean Hopper		
42	324003380	Push Button, On/Off, Black Met		
	324003620	Push Button, On/Off, Grey		
	#N/A	ON/OFF BUTTON M5000-COMT.BLUE/5013		0324.003.730
	#N/A	ON/OFF BUTTON M5000-COMTESSE SILVER		0324.003.580
43	#N/A	GREY/7035 FRONT PAN. M5000-SPID.S/SCRE.		224882300
	#N/A	SILVER FRONT PAN. M5000-SPID.S/SCR.GREY		11006620
	#N/A	MARB/CREAM FRONT PAN. M5000-SPID.S/SCR.		224882320
	#N/A	MET/BLACK FRONT PANEL M5000-SPID.S/SCR.		224882353
	#N/A	TRANSP/BLUE FRONT PAN. M5000-SPID.S/SCR		224882384
	#N/A	AMARANT.FRONT PAN. M5000-SPID.S/SCREEN		224882390
	#N/A	DARK/BLUE FRONT PAN. M5000-SPID.S/SCRE.		224882343
	#N/A	YELLOW FRONT PAN. M5000-SPID.S/SCREEN		224882321
	#N/A	ANTHR/GREY FRONT PAN M5000-SPID.S/SCR.		11006625
	#N/A	GREY/7035 FRONT PAN M5000-SPID.S/SCRE.		11006626
	#N/A	MEZZANOTTE FRON.PAN M5000-SPID.S/SCR.		11012398
	#N/A	MEZZANOTTE FRON.PAN M5000-SPID.S/SCR.		11021379
	224882341	DISCONTINUED, Touch Panel Hous		
	#N/A	SILVER FRONT PAN M5000-SPID.S/SC.BLACK		224882348
44	#N/A	DOSE ADJUSTMENT KNOB M5000 METBLACK		0311.016.380
	#N/A	DOSE ADJUSTM.KNOB M5000 GREY SPIDEM		0311.016.620
	#N/A	DOSE ADJUSTMEN.KNOB M5000 UNPAINTED		0311.016.740
	#N/A	DOSE ADJUSTMENT KNOB M5000 SILVER		0311.016.580
45	90001051	Brew Group Key, Italia		
46	41338	Brush, Cleaning, Metal		
47	#N/A	UPPER INSERT POLYST.BOX M5000-SPID		175895400



POS	SAECO No.	SUP018M Vienna Plus Silver E74019 Rev. 11 Code: 10003178	NOTES	Special Order No.
<b>Yellow = Not Available unless Special Ordered</b>				
48	#N/A	LOWER INSERT POLYST.BOX M5000		175894000
49	#N/A	FLEXOGRAPHATE BOX SPIDEM M5000 TREVÌ		178512200
	#N/A	FLEX.BOX SAECO M5000 VIA VENEZIA		178503300
	#N/A	FLEXOGRAPH BOX RIVIERA & BAR S 600		178500700
	178505000	Box, Vienna, Presentation		
	178502400	DISCONTINUED, Box, Trevi Super		
	#N/A	FLEXOGRAPHATE BOX SAECO VIENNA PLUS		13000967
	#N/A	FLEXOGRAPHATE BOX SAECO VIENNA PLUS		13001090
50	165934300	DISCONTINUED, Manual, Trevi		
	#N/A	INSTRUCT.MANUAL NEUTRAL SUP018M GB/P		15001915
	#N/A	IN.MANUAL SUP018M SAE VIENNA PL.GB/F/E/P		15001921
	#N/A	INSTR.MANUAL SUP018M SAE VIENNA PL.GB/P		15001922
	#N/A	INSTR.MANUAL SUP018M SAE VIENNA PL.CHN		15001923
51	147755280	Bean Hopper Guard, Vienna		
52	147715659	Adjustment Knob, Doser		
53	146001850	Gear Adjustment, Coffee Doser		
54	90001003	Filter, Water Tank		
55	90001004	O-Ring, Metric, Epdm, 0019-10		
56	#N/A	PANELVIT TCB 3,0X16 DIN 7505 B GAL		U140.009
57	228991641	Door, Vienna Deluxe		
	#N/A	SILVER DOOR M500 S/SCR.SPIDEM TREVÌ		228991741
	#N/A	SILVER DOOR M5000 S/SCREEN RIVIERA		228991841
	#N/A	DOOR M5000 M.CREAM S/SCR.VIEN.DELU		228991620
	#N/A	DOOR M5000 BLUE S/SCR.SPIDEM MILLE		228992284
	#N/A	DOOR M5000 BLUE S/SCR.SAECO MILLEN		228992384
	#N/A	DOOR M5000 AMAR.S/SCR.SAECO MILLEN		228992390
	#N/A	DOOR M5000 AMAR.S/SCR.SPIDEM MILLE		228992290
	#N/A	DOOR M5000 CHROMED S/SCR.SAECO TRE		228992186
	#N/A	DOOR M5000 CHROM.S/SCR.SAECO EXCLU		228992586
	#N/A	DOOR M5000 CHROM. S/SCR.SAEC.V.VEN		228992686
	#N/A	YELLOW DOOR M5000 S/SCREEN SPID. TREVÌ		228991721
	#N/A	ANTHR/GREY DOOR M5000 S/SCR.SPID. TREVÌ		228991708
	#N/A	DOOR M5000 M/BLACK S/SCR.EDITION 2		228993353
	#N/A	DOOR M5000 GREY/7011 S/SC.TR.CHIARA		228994900
	#N/A	DOOR M5000 SILVER S/SCR. SAECO TRE		228992141
	#N/A	DOOR M5000 CHROM. S/SCR.SPIDEM EXC		228992486
	#N/A	MARB/CREAM DOOR M5000 S/SCR.SPID.TREVÌ		228991720
	228991941	Door, Trevi		
	#N/A	MEZZAN. DOOR M5000 S/SCR.TREVÌ CHIARA		11012399
	#N/A	MEZZANOTTE DOOR M5000 S/SCR.VIENNA PL		11021725
	#N/A	SILVER DOOR M5000 S/SCR.VIENNA PL.		11022213
58	11005044	Grease, Tube, 5 gram		
59	147700200	Priming Pump, Handheld, 17mm		

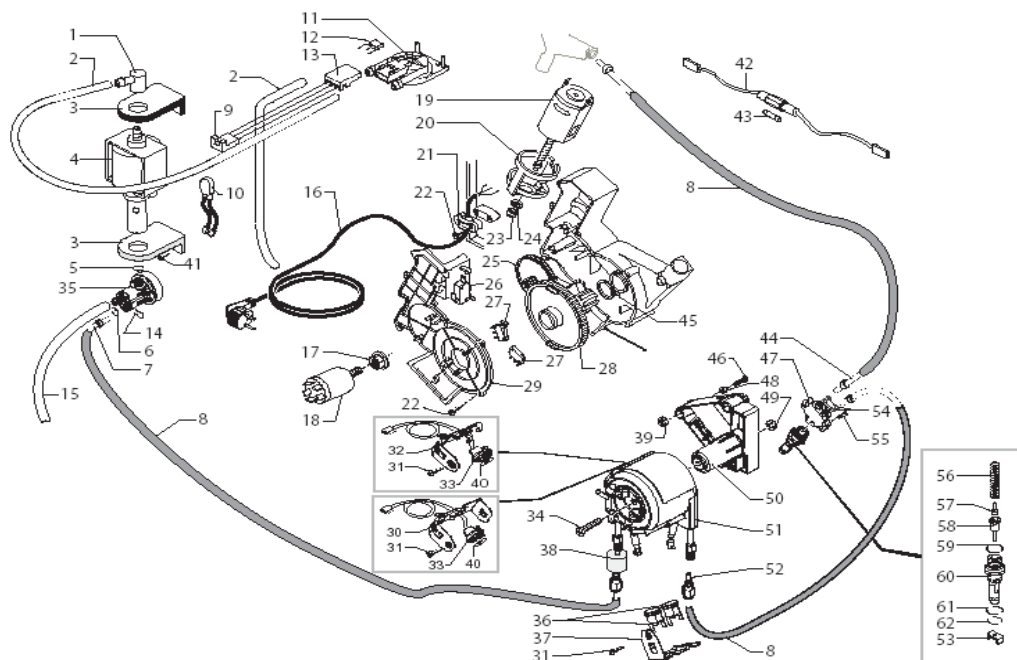




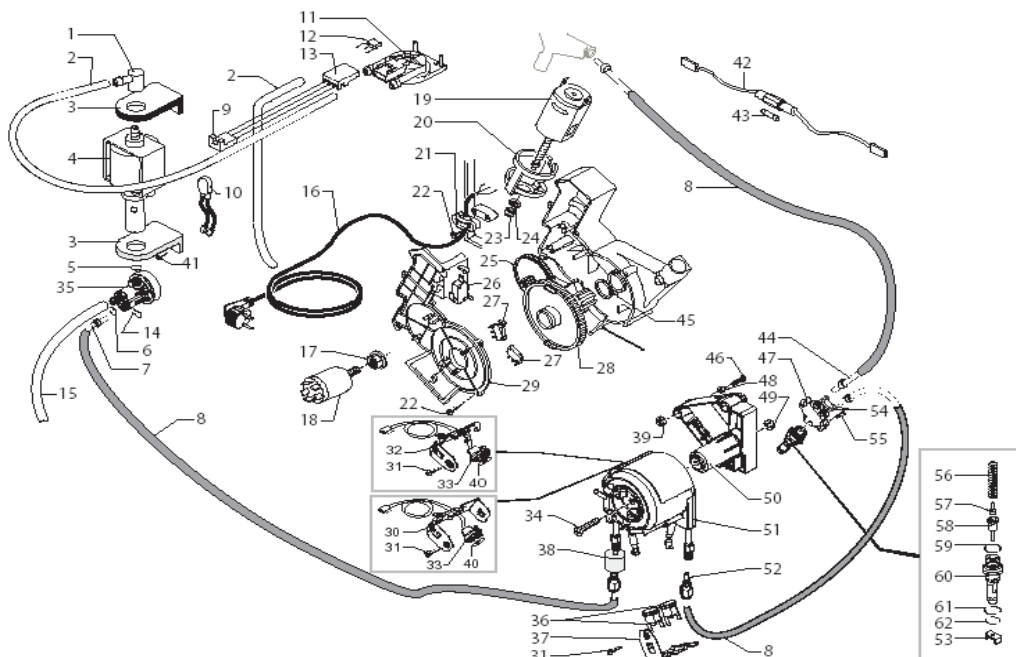
POS	SAECO No.	SUP018M Vienna Plus Silver E74019 Rev. 11 Code: 10003178	NOTES	Special Order No.
<b>Yellow = Not Available unless Special Ordered</b>				
38	#N/A	FLAT TABS 6,3 D=5,3 0010487200	UP TO S/N. 994068660	186400600
39	#N/A	SCREW TAPT M5X10 DIN 7500C NICK		129575403
40	140328059	O-Ring, Silicone, 2015		
41	286471558	Sensor Kit, M/S 5000, 230V		
42	189428200	Thermostat, 175o		
43	127914020	Elbow, 90o, Boiler Input		
44	#N/A	PARTICULAR NOT AVAILABLE	SEE PART. N°22	
45	227872000	Tube Assy, Teflon, 2x4, L=440		
46	140321462	O-Ring, Silicone, 2018		
47	91611320	Washer, Brew Drive Motor, Myla		
48	123390420	Nut, 1/8", H=4.5		
49	123270102	Nut, M6, W/Flange		
50	#N/A	PARTICULAR NOT AVAILABLE	SEE PART. N°58	
51	#N/A	BOILER SEAL		9011.129
52	#N/A	PARTICULAR NOT AVAILABLE	SEE PART. N°58	
53	#N/A	ALUM.SPACER FOR PHILIPS SENSOR MAGIC		11004424
54	U046004	Screw, M6 X 26		
55	U044017	Screw, M5x20, Uni 7687		
56	9161206	Screw, Spacers, For Boiler		
57	90111260	Boiler Support, Brass, Vienna		
58	#N/A	SPARES KIT AN/BOIL+SENS.CAB.M5000/F		286472858
	286473058	Boiler, Vienna, 230V		
59	9011132	Spring, Boiler Pin		
60	90001067	Plunger, Boiler Valve, SS		
61	227660103	Needle valve, L=20		
62	#N/A	OR METRICO 0080-20 IN SILICONE		140320462
63	9011100	Valve Housing, Boiler, Magic D		
64	NM01064	O-Ring, Silicone, 0090-20, Nsf		
65	NM01066	O-Ring, Silicone, 0050-20, Fda		
66	#N/A	M CURSOR FOR BOILER VALVE IN PLASTIC		9011.099
67	#N/A	FUSE T6,3 AMP.5X20 RETARDED		327002200
68	#N/A	1 STR+ SIL. CABLE BLUE 510 MM		183003662
69	JS01022	Tube, Silicone, 5X10, 60		
70	140321961	O-Ring, Epdm, 2031		
71	229451300	Relief Valve, Vienna		
72	184320200	Hose Clamp, Water Line, SA's		
73	#N/A	STEEL SPRING RETAIN.3 THE.BOIL. M5	FROM S/N. 994068661	126836517
	#N/A	GEN.TURB.AS.W/O FILTER UNIFIED M5000		289434800





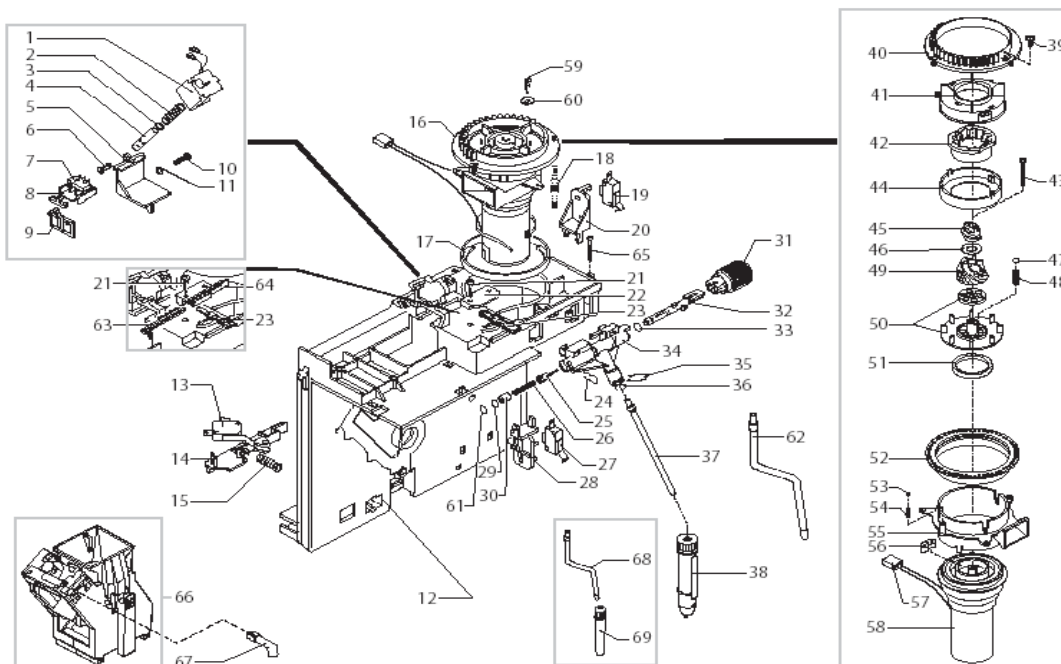


POS	SAECO No.	SUP018M Vienna Plus Silver E74019 Rev. 11 Code: 10003178	NOTES	Special Order No.
<b>Yellow = Not Available unless Special Ordered</b>				
1	147920150	Fitting, 90o. Pump Inlet		
2	149360200	Tube, Silicone, D=8x10		
3	80001005	Support, Eaton Pump		
4	12000131	Pump, Ulka, 120V, 60Hz, EAP5/S		
5	140321961	O-Ring, Epdm, 2031		
6	NM02028	O-Ring, Epdm, 2015		
7	227874900	Connector, Teflon, 2x4 L=250mm		
8	149361200	Tube, Silicone, Blk, 7.5x9.3		
9	#N/A	3 POLES CONNECTORS TURB.M5000 ASSY.		283542200
10	#N/A	THERMAL PROTECT 120°C CABLE.125/3 100-120V		289201000
11	286473300	Flowmeter Casing, W/Sensor Kit	WITH PART. N°12	
12	#N/A	PARTICULAR NOT AVAILABLE	SEE PART. N°11	
13	9161018	Fork, Flowmeter Assy, Vspresso		
14	9011144	Clip, Hairpin, Teflon Tube		
15	JS01022	Tube, Silicone, 5X10, 60		
16	#N/A	POWER CABLE SCHUKO BLACK L=1500		183910450
	#N/A	POW. CABLE CH BLACK H05+3FAST.L=1500		183930250
	#N/A	P.CABLE ITALY BLACK _H05 + FAST.L=		183950150
	#N/A	POWER CABLE SJT3C USA GREY 5F.L1590		183922060
	#N/A	BLACK POW. CABLE AUSTR.H05+FAST.L=1500		183940250
	#N/A	POWER CABLE SJT3C USA GREY 3F.L1500		NE01.026
	#N/A	POWER CABLE JAPPON VCTF BLACK L=1590		183980550
	#N/A	BLACK POWER CABLE RVV 3X1 CHINA L=1590		183990950
	#N/A	GREY POWER CABLE TAIWAN HVCTF L=1440		11002892
	#N/A	GREY POWER CABLE BRAZIL 5F.L=1590		11003361
	#N/A	POWER CABLE SJT3C USA BLACK 5F.L=1590		11000706
17	#N/A	FLANGE NUT M8 TOOTHED BASE GALV.		123453602
18	184651500	Power Filter, Charisma/Vspress		
	#N/A	LOCKING SCREW ANTIDISTURB FILTER 16A		12001353
19	#N/A	MOTOR FOR RATIONMOTOR ASSY.		11003037
20	80001008	Antivibration, Brew Drive Mtr		
21	#N/A	CABLE CLAMP V0 MAGIC ESP COMBI UL		148600600
22	129670202	Screw, M3.5x16, Tcb, D=8		
23	#N/A	SINTERED BUSH FOR MOTOR		9121.046
24	148380200	Washer, Vspresso, D=5		
25	146000759	Gear, Brew Drive Motor, 12/90		
26	NE05042	Microswitch, Brew Group Sensor		
27	NE05038	Switch, Brew/Dump, Magic		
28	9121068150	Gear, Brew Drive Motor, Vienna		
29	9161200920	Cover, BrewDrive Motor, Vienna		
30	126838017	Retaining Clip, Sensor	UP TO S/N. 9004SA40074124	
31	129573202	Screw, M4x8, Uni 8112, Tcb		
32	126838217	Spring, Fixing sensor	FROM S/N. 9004SA40074125	
33	288582200	Temperature Sensor, Assembly		



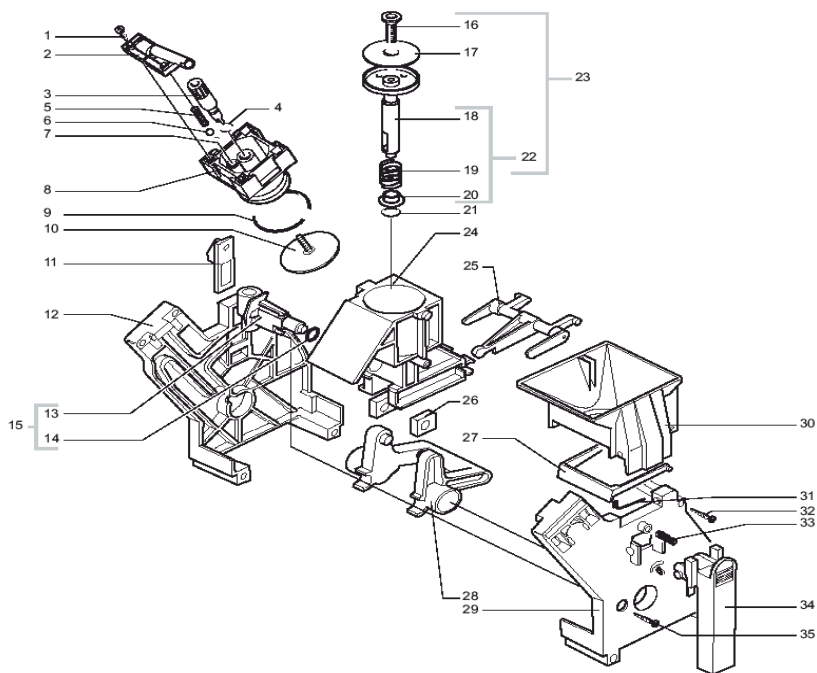
POS	SAECO No.	SUP018M Vienna Plus Silver E74019 Rev. 11 Code: 10003178	NOTES	Special Order No.
<b>Yellow = Not Available unless Special Ordered</b>				
34	129932202	Screw, M5x20, Znp, Galvanized	UP TO S/N. 9008SR40104168	
	129932502	Screw, M5X30,UNI,7688,ZNP	FROM S/N. 9008SR40104169	
35	229452100	Compensation/Sfty Valve, Assy		
36	189428200	Thermostat, 175o		
	189428600	Thermostat, 175o, Sirius		
37	126838117	Retaining Clip, 2 Thermostats		
38	90001069	Protection, Folk Spring, D=4		
39	U310003	Nut, Self-lock, M5, UNI 7473	UP TO S/N. 9005SA90278596	
40	145951600	Insulating Disk, D=16 0.4 mm		
41	#N/A	SCREW TCB3,9X9,5 DIN 7981 GALV		129517302
42	#N/A	CABLE 1 WIRE SIL.BLUE AWG18 + FUSE 120V		183361062
43	#N/A	FUSE T15 AMP.DELAYED 120V		184950200
44	#N/A	CONNECTOR AS.TEFLON 2X4 L=480 MM		11002649
45	91611320	Washer, Brew Drive Motor, Myla		
46	U044020	Screw, M5x30, Uni 7688, Znp		
	#N/A	UP TO S/N. 9005SA90278596		
	129932502	GALVANIZDE SELF DRILLING SCREW 5X30	FROM S/N. 9005SA90278597	
47	227900320	Support, Outlet Valve, 2 holes		
48	9161206	Screw, Spacers, For Boiler		
49	123453902	Nut, Self-lock, M5, 8 Din 980	UP TO S/N. 9008SR40104168	
50	#N/A	SPARES KIT SUPPORT BOILER M5000	UP TO S/N. 9005SA90278596	20000203
	149197900	Plastic Support, Boiler	From.S/N.9005SA90278597 UP TO S/N.9008SR40104168	
	#N/A	V2 SUPPORT FOR ALUM.BOILER TYPE M5000	FROM S/N. 9008SR40104169	11011420
51	282058455	Boiler Assy, Cylinder, 120V		
52	227876800	Connector,Teflon,2X4 L=235MM		
53	#N/A	M CURSOR FOR BOILER VALVE IN PLASTIC		9011.099
54	140328059	O-Ring, Silicone, 2015		
55	129910103	Screw, M3,5x15, Hi-Lo		
56	9011132	Spring, Boiler Pin		
57	90001067	Plunger, Boiler Valve, SS		
58	227660103	Needle valve, L=20		
59	140320459	O-Ring,Metric,0080-20,Silicone		
60	9011100	Valve Housing, Boiler, Magic D		
61	NM01064	O-Ring, Silicone, 0090-20, Nsf		
62	NM01066	O-Ring, Silicone, 0050-20, Fda		
	#N/A	ALUM.BOILER 120V AS.WITH RESISTANCE		282132855





POS	SAECO No.	SUP018M Vienna Plus Silver E74019 Rev. 11 Code: 10003178	NOTES	Special Order No.
<b>Yellow = Not Available unless Special Ordered</b>				
37	229380908	ST.STEEL STEAM TUBE L=137,66 S5000 ASSY.		
38	9990002	PANNARELLO AS. BLACK PLASTIC		
	#N/A	PANNARELLO AS. GREY /SPIDEM PLASTI		147430161
	#N/A	PANNAR_ASS.INT.PLASTIC EXT.CHROM.		227430600
39	129511803	SCREW TCB 2,9X6,4 DIN 7981 NICK		
40	148650250	SECTOR GEARGRIND ADJUSTM. KNOB COMBI		
41	149186150	BLACK UPPER GRINDER SUPPORT MAGIC		
42	#N/A	PARTICULAR NOT AVAILABLE	SEE PART. N°49	
43	80001011	TORX SCREW T10 TCB 3,5X40 SX ZNG		
44	142844550	UPPER GRINDER COVER COFF. GRIND. MAGIC		
45	9141030	INCREASE SCREW PIN COFF. GRINDER MAGIC		
46	U201002	PLAIN WASHER 10X16X0,2DIN 988 GAL		
47	NM06002	STAIL STEEL AISI 304 SPHERE D=5,5MM		
48	9141032	STEEL SPRING SPHERS D=5,5 MOTOR MAGIC		
49	226473500	KIT TECNA GRINDERS	WITH PART. N°42	
50	9141044	CONICAL GRIND. SUPP. + RING MAGIC		
51	9141034	FELT RING 40X34X5		
52	9141017	RING NUT FOR GRINDING ADJUSTM. MAGIC		
53	NM06003	STAIL STEEL AISI 304 SPHERE D=3,2MM		
54	#N/A	NEW SPRING SPHERE D=3,2 MOTOR MAGIG		126770117
55	9141043	SHOCK ABS .CONICAL GRINDER SUPP.MAGIC		
56	#N/A	GRINDER MOTOR SUP.BLACK MAGIC		149186350
57	#N/A	2 P.CONN.AS. COFF.GRINDJP1 CA 120V		283542600
58	#N/A	MOTOR AS. NEW MAGIC DE LUXE 120V		286851855
59	129670202	PANE. TCB SCREW 3,5X16 TESTA D=8 Z		
60	U207004	PLAIN WASHER 4,3X16 UNI 6592 GAL		
61	140328161	OR D=3,85 X 1,90 IN EPDM		
62	#N/A	CHROMED STEAM TUBE AS.L=125,88 S5000		229380908
63	#N/A	TOOTHED SLIDE FOR DOSE ADJUST GEAR		148740450
64	147571850	Adj Mount, Doser, V. Digital		
65	#N/A	SCREW PANELVIT TCB 3X38 DIN 7505 ZN		129661502
66	9160027150	Brew Group, Vienna	SEE EXPL. COD. E90050 Page 13	
	#N/A			
	#N/A	NOTE: FOR SINGLE PAR. OF THE OLD GROUP		
	#N/A	COFFEE' GREY		
	#N/A	SEE EXPL.COD.E90023 (MOD. WITHOUT HOLE)	Page 14	225800559
	#N/A	SEE EXPL.COD.E90026 (MOD. WITH HOLE)	Page 15	
67	11006983	Outlet Elbow, Black Vent		
68	#N/A	ST.STEEL STEAM TUBE AS.L=104,88 M5000		11001601
69	227431250	Pannarello Assy, Black		





POS	SAECO No.	Brew Group Old Gray M5000 with hole E90026 Rev.03 Cod:225800559	NOTES	Special Order No.
<b>Yellow = Not Available unless Special Ordered</b>				
1	U140019	Screw, M3x16, Din 7505, Tcb		
2	311024150	Outlet Flange, Brew Group, Vie		
3	0701R05150	Thumbscrew, Long Blk, Old style		
4	NM02006	O-Ring, Epdm, R5, Thumbscrew		
5	9161222	Spring, Brew Group		
6	9991168	Seat, Glass, Brew Group, Magic		
7	NM02013	O-Ring, Epdm, 0080-15, Brew Gr		
8	9161193150	Piston, Tamp, Brew Group, Mag		
9	NM01044	O-Ring, Silicone, 0320-40		
10	9161212	Filter Screen, Upper, 35.8 Mag		
11	#N/A	BLACK PLATE FOR UNIT COFFE COUPLING		147572550
12	#N/A	GREY REAR PLATE FOR UNIT		9161.070.150
13	9161064150	Coupling, Water Inlet, Brew Gr		
14	NM02007	O-Ring, Epdm, 2025		
15	#N/A	SPARE SLEEVE UNIT GREY		
16	U044012	Screw, M3x14, Uni 7687		0301.R04.150
17	9161167	Filter Screen, Lower, 35.8 Dia		
18	#N/A	NEW PISTON WITH INSERT BLACK		9161.211.050
19	#N/A	SPRING FOR PISTON		9161.198
20	#N/A	BUSH FOR PISTON NEUTRAL		9161.191
21	NM02018	O-Ring, Epdm, 0090-25, Orm		
22	9161210150	Piston, Brew Group, Magic		
23	#N/A	SPARE PISTON UNIT NEW BLACK		0301.R16.050
24	#N/A	COMPLETE CONTAINER FOR UNIT GREY		9161.195.150
25	#N/A	Connector Rod, Brew Group		9161.065.150
26	#N/A	DRILLED BLACK BLOCK FOR UNIT		9161.094.050
27	#N/A	GREY SCRAPER FOR COFFEE UNIT		9161.060.150
28	#N/A	ELBOW SHAFT FOR UNIT GREY		9161.066.150
29	#N/A	GREY FRONT PLATE FOR UNIT		9161.071.150
30	#N/A	GREY HOPPER FOR PRESS UNIT		9161.123.150
31	#N/A	SPRING FOR UNIT SCRAPER		9161.046
32	#N/A	SS.SCREW AUT.TCB 3,5X19 DIN 7981 C		U109.026
33	9161045	Spring, Chute, Brew Group		9161.045
34	#N/A	Handle, Brew Group, Magic		9161.069.150
35	#N/A	SS.SCREW AUT.TCB 2,9X19 DIN 7981 C		U109.027
37	311023150 11006983	Outlet Elbow, Gray, Vent Outlet Elbow, Black vent		

