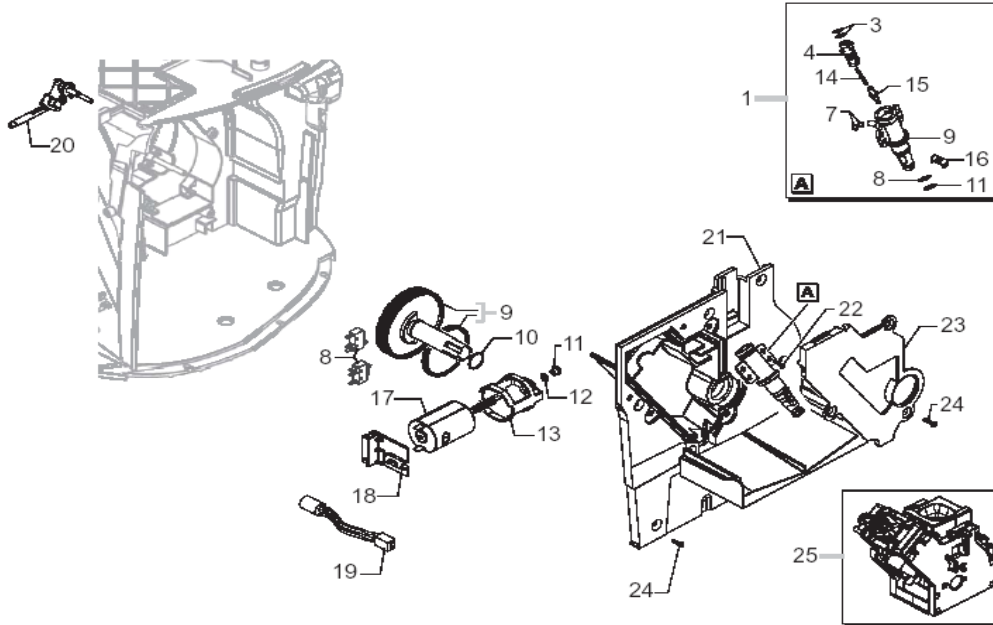


POS	SAECO No.	SUP0310 Odea Go V2 E74132 Rev. 03 Code: 10002799	NOTES	Special Order No.
Yellow = Not Available unless Special Ordered				
1	#N/A	MANUAL V3 SAE P0049/A SUP0310 NL/PL		15001564
	#N/A	MANUAL V3 SAE P0049/A SUP0310 D/I		15001561
	#N/A	MANUAL V3 SAE P0049/A SUP0310 GB/F		15001562
	#N/A	MANUAL V3 SAE P0049/A SUP0310 E/P		15001563
	#N/A	MANUAL INSTRUCTIONS SUP0310 CHN		15001653
2	11003889	DISCONTINUED, 2 Pole Conn		
3	11003785	Grinder Adjustment Key, Black		
4	183911050	Power cable, Blk, L=1200		
	#N/A	POWER CABLE CH BLACK 3X1 H05VV-F L=1200		183930650
	183921950	Cord, Electrical		
	#N/A	BLACK POWER CABLE AUSTRALIA L=1200		183940650
	#N/A	POWER CABLE JAPON VCTF BLACK L=1200 MM		183980650
	#N/A	BLACK POWER CABLE BRAZIL W/CONNECT L=1200		11004245
	#N/A	BLACK POWER CABLE TAIWAN HVCTF L=1200		11004246
	#N/A	BLACK POWER CABLE RVV 3X1 CHINA L=1200MM		11004247
	#N/A	BLACK POWER CABLE KOREA 3X1 L=1200		11001985
5	#N/A	PARTICULAR NOT AVAILABLE	SEE PART No. 50 UP TO S/N. 9009SA40111759	
	#N/A	PS-E UPPER INSERT V3 FOR BOX P0049	FROM S/N. 9009SA40111760	13000859
6	#N/A	PARTICULAR NOT AVAILABLE	SEE PART No. 50 UP TO S/N. 9009SA40111759	
	#N/A	PS-E LOWER INSERT V3 FOR BOX P0049	FROM S/N. 9009SA40111760	13000858
7	#N/A	PARTICULAR NOT AVAILABLE	SEE PART No. 50 UP TO S/N. 9009SA40111759	
	#N/A	DISPLAY BOX V3 P0049 SAECO ODEA	FROM S/N. 9009SA40111760	13000883
8	11001746	Water Tank, Odea		
9	90001003	Filter, Water Tank	WITH PART.N°10	
10	90001004	O-Ring, Metric, Epdm, 0019-10		
11	11003672	Spring, Water Tank Valve P0049		
12	11003673	Valve, Insert, Water Tank		
13	11003671	Valve, Water Tank,		
14	11001298	Lid, Duckbill Valve, Blk		
15	11001308	Lid, Water, Odea		
16	11004687	Pin Assy, Mounting Plate		
	#N/A	MOUNTING PLATE WITH PIN P0049 UL ASSY.		11009301
17	11000223	Wheel, Black, Casing Bottom		
18	11013549	Cover, Silver, V3 P0049		
	#N/A	WHITE CASING COVER V3 P0049		11013548
19	#N/A	SPECCHIATO WATER-STEAM KNOB P0049		11010717
	#N/A	CHROMED WATER-STEAM KNOB P0049		11010693
20	11004142	Logo Plate, Saeco, Silver		
21	#N/A	BLACK PLATE WITH LOGO ODEA P0049 GO		11004907
	#N/A	BLACK PLATE WITH LOGO ODEA P0049 SPORTY		11012236
22	11004575	Right Side Casing		
	#N/A	URBAN/G RIGHT SIDE CASING P0049		11010710
	#N/A	VANILLA RIGHT SIDE CASING P0049		11010667



POS	SAECO No.	SUP0310 Odea Go V2 E74132 Rev. 03 Code: 10002799	NOTES	Special Order No.
Yellow = Not Available unless Special Ordered				
1	11005060	PIN V2 FOR BOILER P049/B ASSY.		
2	140324459	OR ORM 0060-20 IN SILICONE PTFE/FDA		
3	11003820	CAP V2 FOR PIN BOILER P119		
4	140328059	OR 2015 IN SILICONE PTFE/FDA		
5	NM01035	OR ORM 0090-20 SILICONE		
6	11003801	PIN V2 FOR BOILER P119		
7	NM01057	OR ORM 0050-20 SILICONE		
8	NE05038	MICROSWITCH		
9	20000900	SPARES KIT GEARS FOR RATTOMOTOR V2		
10	91611320	MYLAR WASHER FOR RATTOMOTOR		
11	#N/A	SINTERED BUSH FOR MOTOR		9121.046
12	148380200	WASHER BAKELIZZATE D=5,5		
13	80001008	ANTIVIBRATION FOR MOTOR		
14	9011132	SPRING FOR PIN		
15	227660103	TEA/BRASS PISTON L=20,9 ASSY.		
16	9011099	CURSOR V2 FOR BOILER P119		
17	11003037	Motor, Brew Drive		
18	#N/A	BLACK MICROSWITCH SUPPORT DUMP BOX P0049		11001331
19	#N/A	REED SENSOR MK3-1A66-BV16451		11003661
20	11004685	V3 COFFEE DISPENSING VALVE P0049 ASSY.	UP TO S/N.9008SA40436654	
21	11006337	BLACK COVER MOUNTING PLATE P0049 ASSY.		
	#N/A	BLACK COVER MOUNTING PLATE P0049 UL ASSY		11009287
	#N/A	SCREW TCB TORX 10 3,5X16 PLAST.ZN-B		129914002
23	11001312	BLACK COVER FOR VAIN BOILER P0049		
	#N/A	BLACK COVER FOR VAIN BOILER P0049 UL		11009284
24	129914102	Screw K_35x12 Win1423 Galv.		
25	11005921	Brew Group, Blk.8GM, V2	See page 8 E90060	
	11012382	Brew Group, Blk 8gr P0057	See page 9 E90067 Up to S/N 9009SA40039603 with kit Code: 20005362 and From 9009SA40039604 one by one	

