

 **Saeco**

XXX

RENAISSANCE COLLECTION

Drip Coffeemaker
Model # TDCM20

Instruction Manual

Manuel d'instruction

Manual de instrucción



Table of Contents

Introduction	2
Table of Contents	2
Important Safeguards	3
Warnings	5
Short Cord Instructions	6
Factory Testing Information	6
Your Saeco Renaissance XX	7
Four Factors to Great Coffee	7
Description of Parts	9
Control Pad	10
Prepping your Machine	12
Brewing Coffee!	13
Timer	14
Care and Cleaning	14
Decalcifying	15
Troubleshooting	16
1 Year Limited Warranty & Service Info	17

Introduction

Thank you for choosing **Saeco's Renaissance XX** Thermal Coffeemaker.

The **XX** features a 10-cup thermal carafe with automatic shut off. The Blue LED light is the ultimate combination of style and function. Welcome to the rebirth of the drip coffee machine.

Please read the following instructions carefully prior to operating your new coffeemaker. We recommend you save these instructions and refer to them for cleaning and care tips.

IMPORTANT SAFEGUARDS

When using electrical appliances, basic safety precautions should always be followed to reduce the risk of fire, electric shock, and/or injury to persons.

1. PLEASE READ ALL INSTRUCTIONS COMPLETELY, PRIOR TO USING.
2. Do not touch hot surfaces. Use handles or knobs.
3. To protect against risk of electric shock, do not put coffeemaker base, cord, or plug in water or any other liquid.
4. Close supervision is necessary when any appliance is used by or near children.
5. Do not abuse cord. Never carry the coffeemaker by the cord or yank it to remove it from an outlet: instead grasp the plug firmly and pull to disconnect.
6. Do not operate any appliance with a damaged cord or plug. Do not operate after the appliance malfunctions or has been damaged in any manner. Return the appliance to an authorized service facility for examination, repair, electrical or mechanical adjustment. Call Saeco Customer Service for assistance at 1-800-933-7876.
7. The use of an accessory not evaluated for use with this appliance or sold by the manufacturer may cause injuries, fire, or electric shock.
8. The thermal carafe is designed for use only with this coffeemaker. Do not use with any other drip coffeemaker. It must never be used on a range top, in a microwave, or with any other heat source.
9. Do not let cord hang over edge of table or counter or touch hot surfaces, including the stove.
10. Turn coffeemaker off and unplug from outlet when not in use and before cleaning.
Allow to cool before putting on or taking off parts and before cleaning appliance.

IMPORTANT SAFEGUARDS (cont.)

11. Do not attempt to disassemble the carafe.
12. Do not place appliance or carafe on or near a hot gas or electric burner or in a heated oven.
13. Allow filter basket to cool before removing.
14. Do not use carafe with a loose or weakened handle.
15. This appliance is intended for household use only and not for commercial or industrial use.
16. Do not use this appliance for other than intended use.
17. To reduce the risk of fire or electric shock, do not remove the bottom cover. There are no user serviceable parts inside. Only authorized service personnel should perform repairs.
18. Do not operate in the presence of explosive and/or flammable fumes.
19. Do not use outdoors.
20. Wash all removable parts by hand prior to first use. Do not put removable parts in a dishwasher.
21. Do not immerse carafe in water.
22. Arrows on the lid must line up and carafe must be fully inserted to prevent risk of overflow.

SAVE THESE INSTRUCTIONS.

WARNING!

TO AVOID ELECTRICAL SHOCK:

- To reduce the risk of fire or electric shock. Do not remove any service covers.
- No user serviceable parts inside. Repair should be done by authorized personnel only.
- Keep your coffeemaker out of the reach of children.
- Do not run water or any other liquid over the body of the machine.

TO OTHERWISE AVOID INJURY:

- Keep appliance from direct contact with steam.
- Do not use your **Saeco Renaissance XX** without water.
- Do not use your **Saeco Renaissance XX** if it is leaking.
- Keep your hands and the cord away from the hot parts of the appliance during operation.
- When cleaning, never scrub vigorously or use a hard or damaging tool.

NOTICE:

Considerable effort has been made to ensure that this manual is free of inaccuracies and omissions. However, as we are constantly improving our coffee and product knowledge, some of the data contained herein may have been improved upon since the printing of this manual. If you have a need for an exact specification or additional clarification, please contact **Saeco Customer Service at (800) 933-7876**.

Short Cord Instructions:

A short power supply cord is provided to reduce the risk of tripping over, or otherwise becoming entangled with, a longer cord. Longer detachable extension cords are available, and may be utilized if care is exercised in their use.

Regarding your Cord Set:

1. A short power-supply cord (or detachable power-supply cord) is provided to reduce risks resulting from becoming entangled with a longer cord.
2. Longer detachable power-supply cords or extension cords are available and may be used if care is exercised in their use.
3. If a long detachable power-supply cord or extension cord is used, (A) the marked electrical rating of the detached power-supply cord or extension cord should be at least as great as the electrical rating of the appliance, (B) if the appliance is of the grounded type, the extension cord should be a grounding type 3-wire cord, and (C) the longer cord should be arranged so that it will not drape over the counter top or table top where it can be pulled on by children or tripped over.
4. This appliance has a polarized plug (one blade is wider than the other). As a safety feature, this plug will fit in a polarized outlet only one way. If the plug does not fit fully in the outlet, reverse the plug. If it still does not fit contact a qualified electrician. Do not attempt to defeat this safety feature or modify the plug in any way.

Factory Testing Information:

To ensure that your **Saeco Renaissance XX** will operate to perfection once it reaches your home, our factory tests some of the machine components for water leaking, brew temperature and other operational features before shipping. Occasionally, a new machine may still contain coffee residue or water from this factory testing. If you find such residue on your coffeemaker, simply clean it as directed under "Before Using Your **Saeco Renaissance XX** For The First Time".

Congratulations on your purchase of the Saeco Renaissance XX!

Saeco, located in the the North of Italy, is the premiere manufacturer of European style coffee machines. Saeco has worked diligently to ensure that your home coffee brewing experience is a successful and satisfying one. We have put over 25 years of production experience into our innovative line of home coffeemakers. Your new **Saeco Renaissance XX** is designed to give you years of great coffee. The precision brewing system heats water to an ideal temperature for brewing exceptional coffee, and the thermal carafe allows you to prepare, serve, and savor excellent coffee with a sense of style.

Four Factors to Great Coffee

To achieve the best results from your new **Renaissance XX** Coffeemaker, our coffee experts have provided some guidelines to brew the best coffee. There are Four Factors which are key for you to achieve YOUR ideal cup. They are: The Water, The Coffee, The Grind, & The Recipe.

The Water is one of the most fundamental and most often overlooked ingredients when making great coffee. The water used should be fresh, clean and cool. Bottled or filtered, water free from undesirable smells or tastes like sulfur or iron is preferable. Distilled water is not recommended as it may leave your coffee tasting dull or flat.

The Coffee. Buying fresh, good quality coffee beans is the second step to making great coffee. Any kind of coffee beans when ground correctly, can be used in the **Saeco Renaissance XX** Coffeemaker. Your coffee's freshness in part determines how flavorful the brewed coffee will be. Do not store coffee beans in your freezer or refrigerator as they tend to take on the flavor of the foods stored in the refrigerator. To keep coffee fresh, store in an airtight container at room temperature in a cool dark place. Protect your coffee from these 4 elements-Air, Light, Heat and Moisture, all of which will greatly diminish its flavor. For the best results, coffee should be ground fresh for each use.

The Grind is the key to regulating how fast the hot water passes through the coffee and picks up all of those wonderful coffee flavors. If the grind is too coarse, the water passes through too quickly and the brewed coffee often seems weak.

Reverse, a too fine grind will not allow the water to pass through the coffee grinds quick enough, resulting in a very strong, over extracted, bitter coffee and possible water overflow from the filter basket. We recommend a MEDIUM grind, which gives the hot water the proper amount of interaction with the grinds in order to extract the best brewed coffee.

The Recipe is simply the proportion of water to ground coffee. Adjust the amount of ground coffee used to your taste. Less for milder coffee, more for stronger coffee. Below are our suggested proportions per cup.

To Brew	Suggested Ground Coffee Amounts
10 Cups	10 Scoops (10-13 tablespoons)
8 Cups	8 Scoops (8-10 tablespoons)
6 Cups	6 Scoops (6-7 tablespoons)
4 Cups	4 Scoops (4-5 tablespoons)
2 Cups	2 Scoops (2 tablespoons)

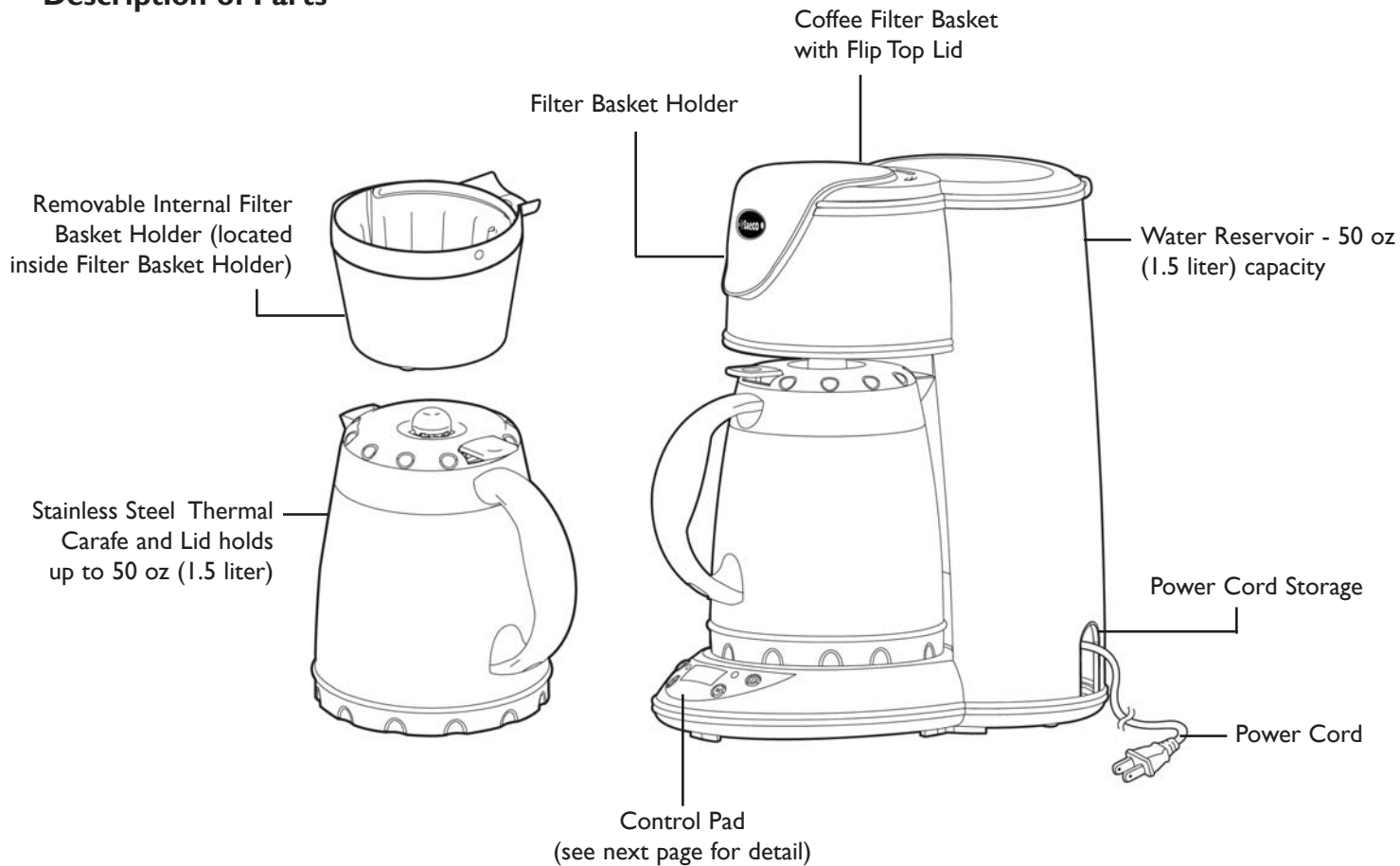
Hint: 1 cup approximated for 6-8 oz of coffee.

Remember always to use fresh, medium ground coffee in your new Renaissance XX Coffeemaker.

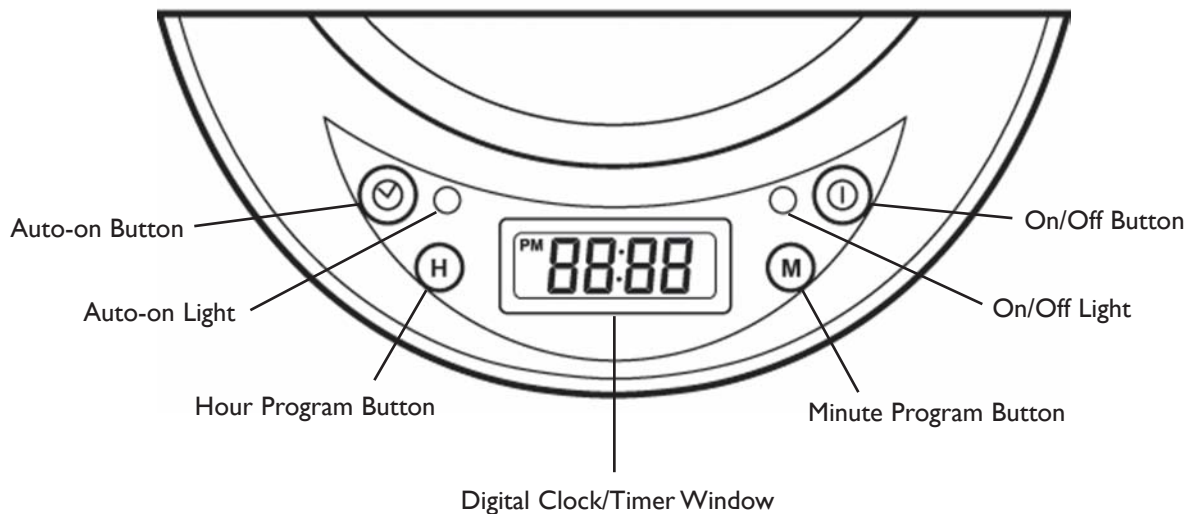
Thank you for purchasing this SAECO product. To communicate your comments, feedback, or questions about this product, please visit our website www.saeco-usa.com and click on the "Contact us" link. We always love to hear from our customers!

Saeco Customer Service
1-800-933-7876
Or visit us on the world wide web at
www.saeco-usa.com

Description of Parts



Control Pad



**** The Control Pad is splash proof, but not waterproof.
Do NOT over expose the Control Pad to water.
It may permanently damage the Control Pad making the coffeemaker inoperable.**

Before Using Your Saeco Renaissance XX for the First Time

(Read all "Important Safeguards" and "Warnings" in this manual.)

1. Wash all removable parts of your machine with warm water. Removable parts are the Internal Filter Basket Holder, the Carafe and the Carafe Lid. Do not wash any of these removable parts in the dishwasher. Temperatures in a dishwasher vary and can permanently alter the integrity of the removable parts.
2. Unwind the power cord from the storage area located on the backside of the machine. Straighten the cord thoroughly to remove any kinks. Wind excess length back into storage area, leaving only the amount of cord needed to reach the outlet.
3. Perform a rinsing cycle by brewing just water and then set the clock according to the directions on page 12.
4. If you experience problems, please look at the troubleshooting section located at the end of this manual, or contact Saeco Customer Service at 1-800-933-7876

Caution:

- Never operate your **Saeco Renaissance XX** without water. Doing so may permanently damage the machine.
- To avoid overflow, never fill water reservoir with more water than fits in the carafe.
- Never operate your **Saeco Renaissance XX** with anything but clean cold water in the water reservoir.
- The Control Pad is encased in a soft touch material that is splash proof, but not waterproof. Do not over expose the control pad to water; it may permanently damage the Control Pad making the coffeemaker inoperable.

Preparing Your Coffeemaker For Use

Before using your **Saeco Renaissance XX**, we recommend that you filter water through the machine to remove any dust particles or residues that the machine may have retained from the factory. Please note that NO coffee should be used during this process. The steps are as follows:

1. Fill the water reservoir with 50 ounces of water.
2. Place the assembled thermal carafe into the brewing area. Be sure to push the carafe all the way into the unit to trigger the carafe insertion sensor.
3. Plug in machine. Press ON the “On/Off” button. The blue light beside the “On/Off” button will illuminate and the water will begin to brew into the thermal carafe.
4. When approximately half of the water has run through, press OFF the “On/Off” button. Allow the remaining water to sit in the reservoir to soak for 15 to 30 minutes. Press ON the “On/Off” button and allow the remaining water to run through the machine. The machine will automatically turn off when all of the water has been brewed through the machine.

Remove the carafe from the machine, unscrew the lid and discard the water from the carafe. Allow the machine to cool for at least 15 minutes. Your machine is now ready for use!

Setting The Clock

Plug in the machine. Press and hold the hour or minute button until the clock flashes and you hear one beep. Set the clock by depressing the hour and minute buttons to the current time. Five seconds after you release either button, the time stops flashing and is set. AM or PM is indicated by a small light at the top left of the clock display.

CAUTION: The Control Pad is encased in a soft touch material that is water resistant, but not waterproof. Do not over expose the control pad to water; it may permanently damage the Control Pad making the coffeemaker inoperable.

Brewing Coffee in your Saeco Renaissance XX

The best coffee begins with top-quality Arabica beans. We recommend using whole bean coffee, roasted to perfection and ground immediately prior to brewing. For this machine, Saeco recommends a medium grind. If you are unsure about grind size or your home grinder, please call Saeco Customer Service at 1-800-933-7876.

1. Plug in the coffeemaker.
2. Flip up (open) the water reservoir/filter lid to access the filter basket holder.
Make sure the removable internal filter basket holder is in place.
3. Place filter (permanent or paper) into the internal filter basket holder, located in the filter basket holder.
Use a standard size (3.25" base) basket filter.
4. Place the appropriate amount of ground coffee into the basket filter. Saeco recommends a coffee to water proportion of 1 level tablespoons (5 grams) of ground coffee to every 6-8 ounces of water; you can adjust this recipe to suit your own personal taste.

Coffee Brewing Hint: When brewing a full carafe, up to 4 ozs of water can remain in the ground coffee once brewing is complete. Adjust your own brewing recipe to ensure a perfect cup every time.

WARNING: TO AVOID OVERFLOW, NEVER FILL WATER TANK WITH MORE WATER THAN FITS IN THE CARAFE.

5. With the filter basket & water reservoir lid up (open), fill the reservoir with cold, fresh water (approximately 65°F/18°C). Fill the water tank reservoir to the appropriate point to brew the desired amount of coffee.
6. Flip the filter basket & water reservoir lid down (closed). Be sure the Filter Basket is securely snapped into place before proceeding.
7. Place the lid on the thermal carafe in the locked position. Ensure lid is locked into place before brewing.
8. Place the thermal carafe into the coffeemaker.

Coffee Brewing Hint: Preheating the carafe by filling and rinsing with hot water prior to brewing can assist in maintaining the overall temperature of your brewed coffee.

9. Press the On/Off Button ON. The brewing light will illuminate.
10. When finished brewing, the coffeemaker will automatically shut off and the brewing light will go off.

Programming The Automatic Timer Function

Your **Saeco Renaissance XX's** programming feature allows you to wake to morning coffee. To program your coffeemaker:

1. Prepare coffeemaker as directed in the Brewing Coffee section in steps 1 through 8.
2. Be sure the clock is set to the current time. Press and hold the "Auto-On" button until the clock flashes. The "Auto-On" light will illuminate. The time display will change to reveal current programmed time. Press "hour" and "minute" buttons to change the programmed time to the time you desire. If you wait for more than 5 seconds to begin to adjust program time, the clock's time function will be re-displayed. You must then repeat the above steps to program.
3. Once programmed to the time you desire, press the "Auto On" button.
4. The programmed brewing time will momentarily be displayed and the blue "Auto-On" light will illuminate, confirming that everything is set for automatic brewing at your pre-set time. When brewing begins, the brewing indicator light will illuminate.

CAUTION: The Control Pad is encased in a soft touch material that is splash proof, but not waterproof. Do not over expose the control pad to water; it may permanently damage the Control Pad making the coffeemaker inoperable.

Care And Cleaning

1. **Warning: To avoid serious injury and electrical shock, it is important to turn off and unplug your Saeco Renaissance XX and allow it to thoroughly cool before cleaning.**
2. Wipe the exterior of both the thermal carafe and the coffeemaker with a damp cloth, then dry thoroughly.
3. Wash the inside of the thermal carafe and all removable parts of the coffeemaker by hand in warm, sudsy water. Rinse thoroughly and dry. Do not wash in a dishwasher. Temperatures in a dishwasher vary and can permanently alter the integrity of the removable parts.
4. Never use harsh cleaning agents, especially those containing alcohol, solvents, or abrasive materials on your **Renaissance XX.**
5. Every 3 months, decalcify your machine.

HINT: Stainless Steel, if not cleaned periodically, can show water marks on the exterior over time.
Be sure to wipe the exterior of the stainless steel thermal carafe.

Decalcifying

Water carries minerals and impurities that can clog the internal plumbing and effect the heating time, heating process, performance and overall taste of the coffee brewed from your machine. We recommend that every 3 months you decalcify your machine to remove this build up and keep your machine brewing smoothly. To decalcify your **Saeco Renaissance XX**, we recommend using the Saeco brand of decalcifier. You can purchase Saeco decalcifier at www.saeco-usa.com or call Saeco Customer Service at 800-933-7876. You may use coffeemaker cleaner, which may be available at your local grocery store. Please note that NO coffee is to be used during this process.

The steps are as follows:

1. Fill the water reservoir with 50 ounces of water, pour the descaling solution directly into the water reservoir.
2. Place the assembled thermal carafe into the brewing area. Be sure to push the carafe all the way into the unit to trigger the carafe control sensor.
3. Plug in the machine. Turn ON the “On/Off” Button. The blue light next to the “On/Off” Button will illuminate, and the solution will begin to brew into the thermal carafe.
4. When approximately half of the solution has run through, then turn the “On/Off” Button OFF. Allow the remaining solution to sit in the water tank reservoir to soak for 15 to 30 minutes. Turn ON the “On/Off Button and allow the remaining solution to run through the machine. The machine will automatically turn off when all of the solution has been brewed through the machine.
5. Remove the carafe from the coffeemaker, unscrew the lid and discard the solution. Allow the machine to cool for at least 15 minutes. Wash and rinse the thermal carafe.
6. Refill the water tank reservoir with 50oz of fresh water; replace the thermal carafe with lid turned until it reaches the locked position, then run water through for a full cycle.
7. Discard the water and allow the machine to cool for at least 15 minutes. Repeat step 6 to ensure that all solution is rinsed out of the brewing unit.

Troubleshooting

If you have concerns or difficulties with your **Saeco Renaissance XX**, here are some possible ideas for solutions. If you need further assistance, please contact Saeco Customer Service at 800-933-7876.

<u>PROBLEM</u>	<u>SOLUTION</u>
Machine does not work.	<u>Coffeemaker is not plugged in.</u> <u>Check outlet (power source); Fuse may be out.</u>
There are coffee grounds in the brewed coffee.	<u>Coffee Grind is too fine.</u> <u>Too much coffee in the filter basket.</u> <u>The carafe was not fully inserted.</u> <u>Removable Internal Filter Basket Holder needs to be cleaned.</u> <u>Need to have a standard paper basket filter in Internal Filter Basket Holder.</u>
Coffee is not hot enough.	<u>Thermal carafe needed to be preheated with hot water.</u> <u>Coffeemaker needs to be decalcified.</u> <u>Coffee being used was not at room temperature</u>
Carafe lid, carafe or machine has an odd odor.	<u>Part of coffeemaker needs to be cleaned;</u> <u>See “Decalcifying” for Instructions.</u>
Machine overflowed.	<u>Hot water could not pass through the opening at the bottom of the filter holder. Remove filter basket holder and thoroughly clean by hand. Look for loose coffee grounds that may be blocking flow.</u> <u>While pulling the thermal carafe away to take a cup of coffee, too much water stayed in the brewing chamber and spilt over the top; Insert carafe and continue brewing cycle.</u> <u>Too much water in reservoir.</u>
Control Pad/Timer doesn't work; No lights work when I turn on the coffeemaker.	<u>The material encasing the control pad is splashproof, not waterproof. If the control pad has water inside it, it may cause a temporary delay until it dries out. The buttons would not work and the lights on the clock go out.</u> <u>Unplug the machine and let dry several hours.</u>
One of the parts is broken	<u>Contact Saeco Customer Service at 1-800-933-7876.</u>

Saeco Limited Warranty

This warranty covers all defects in workmanship or materials in the mechanical and electrical parts, arising under normal usage and care, in this Saeco USA product for a period of 1 (one) year from the date of purchase. A valid proof-of-purchase must be provided prior to any warranty service being rendered. A valid proof of purchase is an authorized retailer receipt specifying item, date purchased, and cost of item. An authorized retailer gift receipt with date of purchase and item is also an acceptable proof-of-purchase. Product is intended for household use only. Any commercial use voids the warranty.

Who is covered?

The *original* purchaser or gift recipient who can provide proof-of-purchase from an authorized Saeco USA dealer.

What is *not* covered?

Improper usage and care can result in damages to the product. Saeco USA is not responsible for any expense resulting from such damage including transportation, shipping, and repairs resulting from improper usage and care.

What will be done?

During the applicable warranty period under normal household usage and care, Saeco USA will repair or replace, at their discretion, any mechanical or electrical part which proves defective, or replace product with a comparable model. The repaired or replacement product is warranted for one year from the original date of purchase or 90 days, whichever is greater.

How can you get service?

Call 1-800-933-7876 to request service. A Return Authorization will be issued, when necessary. All warranty service must be performed by Saeco USA or an authorized Saeco USA Service Center or dealer. Please contact Saeco USA for details. Repair or attempted repair by unauthorized persons voids the warranty.

Unauthorized returned products will not be accepted and will be returned to sender at sender's expense.

IN THE EVENT SERVICE IS REQUIRED:

To obtain warranty service, a valid proof-of-purchase must be submitted to Saeco USA before returning product.

Maintain a copy of proof-of-purchase for your records.

Return Authorization number issued by Saeco USA is necessary to obtain warranty service and must be clearly labeled on box.

Saeco USA is not responsible for loss or damage during incoming shipment.

Be sure to enclose any accessories or components related to the product's problem.

Carefully package product. Saeco USA is not responsible for any transportation and shipping expense.

Retain tracking information for your protection in case of loss or damage in shipment.

**THIS LIMITED WARRANTY COVERS PRODUCTS PURCHASED AND USED
WITHIN THE UNITED STATES AND DOES NOT COVER:**

Damages from improper installation.

Damages in shipping.

Defects other than manufacturing defects.

Damages from misuse, abuse, accident, alteration, lack of proper care and maintenance, or incorrect current or voltage.

Damage from service by other than a Saeco USA authorized dealer or service center. Please contact Saeco USA for details.

Any transportation and shipping charges.

Manufacturer makes no warranty, express or implied, including without limitation, any warranties of fitness or merchantability, except as expressly set forth above with respect to such products or parts therefore. Nor shall manufacturer have incurred any other obligations or liabilities on its part or be liable for any anticipated or lost profits, incidental damages, consequential damages, time charges, or any other losses incurred in connection with the purchase, installation, replacement, or repair of such products or any parts therefore whether original equipment or installed as a replacement covered by this warranty or otherwise; and manufacturer does not authorize any person to assume for manufacturer any other liability in connection with the products or parts therefore. Manufacturer assumes no liability for delay in performing its obligations hereunder if failure results, directly or indirectly, from any cause beyond its control, including but not limited to acts of god, acts of government, floods, fires, shortages of materials, strikes and other labor difficulties, or delays, or failures of transportation facilities. This warranty gives you specific legal rights, and you may also have other rights which vary from state to state.

Table des matières

Table des matières	20
Mesures de Protection Importantes	21
Mises en Garde	23
Directives Relatives à la Courte Corde d'Alimentation	24
Information sur les Contrôles en Usine	24
Votre Nouveau Renaissance XX de Saeco	25
Quatre Facteurs	25
Description des Pièces	27
Boîtier de Commandes	28
Préparatif en vue d'utiliser Votre Cafetière	29
Infuser du Café dans Votre Renaissance XX de Saeco	31
Programmation de la Minuterie Automatique	32
Entretien et Nettoyage	32
Décalcification	33
Dépannage	34
Garantie Limitée	35

MESURES DE PROTECTION IMPORTANTES.

On doit toujours prendre des précautions élémentaires de sécurité lors de l'utilisation d'appareils électriques afin de diminuer les risques d'incendie, de choc électrique ou de blessures corporelles.

1. Veuillez lire les directives complètement avant usage.
2. Ne touchez pas aux surfaces chaudes. Utilisez les poignées ou les boutons.
3. Afin de vous protéger contre les risques de choc électrique, n'immergez jamais la base de la cafetière, la corde d'alimentation ou la fiche.
4. Il faut exercer une surveillance attentive lorsque cet appareil est utilisé par des enfants ou à proximité d'eux.
5. Manipulez la corde d'alimentation délicatement. Ne transporter jamais la cafetière par la corde d'alimentation ou tirer sur celle-ci pour la débrancher d'une prise murale : il est préférable d'empoigner la fiche fermement et de tirer pour débrancher.
6. Ne faites jamais fonctionner un appareil électrique avec une corde d'alimentation ou une fiche endommagée. Ne faites pas fonctionner un appareil après une défectuosité ou après qu'il ait été endommagé. Rappelez l'appareil dans un centre de service autorisé pour y être vérifié, réparé ou pour un ajustement électrique ou mécanique. Communiquez avec le service d'assistance à la clientèle de Saeco au numéro 1-800-933-7876.
7. L'utilisation d'un accessoire non prévu avec cet appareil ou vendu par le fabricant peut causer des blessures, un incendie ou un choc électrique.
8. La carafe thermique est conçue pour utilisation avec cette cafetière. N'utilisez pas cette carafe avec d'autres cafetières à égouttement ET elle ne devrait pas être utilisée en tant que remplacement pour tout autre appareil de ce genre. On ne doit jamais l'utiliser sur le dessus d'une cuisinière, d'un four à micro-ondes ou sur toute autre source de chaleur.
9. Ne laissez pas la corde d'alimentation pendre le long du rebord d'une table, d'un comptoir ou de surfaces chaudes, y compris la cuisinière.

MESURES DE PROTECTION IMPORTANTES (cont.)

10. Fermez la cafetière et débranchez la corde d'alimentation lorsque l'appareil n'est pas utilisé ou pour le nettoyer. Laissez l'appareil refroidir avant d'ajouter ou d'enlever des pièces ou avant de le nettoyer.
11. Ne tentez pas de démonter la carafe.
12. Ne placez pas l'appareil ou la carafe à proximité d'un brûleur électrique ou à gaz ou d'un four chaud.
13. Permettez au panier-filtre de refroidir avant de le retirer.
14. N'utilisez pas la carafe avec une poignée lâche ou endommagée.
15. Cet appareil est réservé à un usage domestique uniquement et ne peut servir à des fins commerciales ou industrielles.
16. N'utilisez pas cet appareil pour autre chose que pour ce à quoi il est destiné.
17. Ne retirez pas le couvercle inférieur afin d'éviter les risques d'incendie et de choc électrique. L'appareil ne contient aucune pièce utilisable. Seules des personnes qualifiées devraient réparer cet appareil.
18. N'utilisez pas cet appareil à proximité d'explosifs ou d'émanations inflammables.
19. Ne l'utilisez pas à l'extérieur.
20. Nettoyez toutes les pièces amovibles manuellement avant de l'utiliser pour une première fois. Ne placez pas les pièces amovibles dans le lave-vaisselle.
21. N'immergez pas la carafe.
22. Les flèches sur le couvercle doivent s'aligner et la carafe doit être entièrement insérée afin de prévenir un débordement.

CONSERVEZ CES DIRECTIVES!

Mises en garde!

POUR ÉVITER LES CHOCS ÉLECTRIQUES :

- Ne retirez aucun des couvercles afin d'éviter les risques d'incendie et de choc électrique.
L'appareil ne contient aucune pièce utilisable. Seule une personne qualifiée devrait réparer l'appareil.
- Conservez votre cafetière hors de la portée des enfants.
- Ne faites pas couler de l'eau ou tout autre liquide sur l'appareil

AFIN DE PRÉVENIR DES BLESSURES :

- Évitez que l'appareil vienne en contact direct avec la vapeur.
- N'utilisez pas votre **Renaissance XX de Saeco** sans eau.
- N'utilisez pas votre **Renaissance XX de Saeco** s'il y a une fuite.
- Gardez les mains de même que la corde d'alimentation loin des parties chaudes de l'appareil pendant qu'il fonctionne.
- Ne jamais frotter rigoureusement ni utiliser un outil qui pourrait endommager l'appareil lorsque vous le nettoyez.

Avis:

Beaucoup d'efforts ont été mis afin de s'assurer que ce manuel ne contienne pas d'erreurs ou d'omissions. Toutefois, comme nous perfectionnons constamment nos connaissances sur le café et les produits, certaines données ci-inclues peuvent avoir été améliorées depuis l'impression de ce manuel. Veuillez communiquer avec le service à la clientèle de Saeco au numéro (800) 933-7876 pour un détail particulier ou des précisions supplémentaires dont vous auriez besoin.

Directives relatives à la courte corde d'alimentation

L'appareil est muni d'une courte corde d'alimentation afin de réduire les risques de s'enfarger ou de s'enchevêtrer dans une corde plus longue. Des rallonges plus longues sont disponibles et utilisables si elles sont manipulées avec soin..

Concernant votre corde d'alimentation:

1. Une corde d'alimentation courte est fournie afin de réduire les risques d'enchevêtrement causés par une corde plus longue.
2. Des cordes démontables plus longues ou des rallonges sont disponibles et utilisables si elles sont manipulées avec soin.
3. Si une corde d'alimentation démontable ou une rallonge est utilisée, (A) leur coefficient électrique indiqué doit être équivalent de celui de l'appareil; (B) si l'appareil possède une fiche munie d'un fil de terre, la rallonge devrait être de type 3 avec une fiche munie d'un fil de terre et, (C) cette rallonge devrait être enroulée sur le dessus de la table ou du comptoir de façon à ce qu'un enfant ne puisse tirer dessus ou qu'on puisse s'y empêtrer.
4. Cet appareil possède une fiche polarisée (une des lames est plus large que l'autre). Par mesure de sécurité, cette fiche ne peut être branchée dans une prise polarisée que d'une seule manière. Si la fiche ne s'ajuste pas entièrement dans la prise, renversez-la. Si le problème persiste, communiquez avec un électricien autorisé. Ne tentez pas de contourner ce dispositif de sécurité.

Information sur les contrôles en usine

Avant expédition, notre usine effectue des tests sur des appareils pour déterminer s'il y a des fuites, vérifier la température d'infusion ou tout autre élément fonctionnel afin de s'assurer que votre **Renaissance XX de Saeco** fonctionnera à perfection lorsqu'il vous parviendra. Il se peut qu'à l'occasion certains appareils contiennent encore des résidus de café ou de l'eau à la suite de contrôles effectués au hasard en usine. Si vous trouvez des résidus semblables dans votre cafetière, nettoyez-la comme cela est indiqué au chapitre "Avant d'utiliser votre **Renaissance XX de Saeco** pour la première fois".

Félicitations pour l'achat de votre Renaissance XX de Saeco

La compagnie Saeco, située dans le nord de l'Italie, est le plus important fabricant d'appareils à café de style européen. La compagnie Saeco a travaillé assidûment afin de s'assurer que vous soyez entièrement satisfait de votre expérience en matière de dégustation de café chez vous. Nous avons consacré plus de 25 années d'expérience à notre gamme de cafetières innovatrices destinées au marché domiciliaire. Votre **Renaissance XX de Saeco** est conçu pour vous permettre de déguster d'excellents cafés pendant de nombreuses années. Un système très précis d'infusion chauffe l'eau à une température idéale afin d'obtenir un café exceptionnel et la carafe thermique vous permet de préparer, de servir et de déguster un excellent café avec style.

Votre nouveau Renaissance XX de Saeco

Nos experts en café ont fourni certaines directives pour obtenir le meilleur café et optimiser le rendement de votre nouvelle cafetière **Renaissance XX de Saeco**. Il existe quatre facteurs importants pour que vous puissiez obtenir VOTRE tasse de café idéale. Les voici : L'eau, le café, la mouture et la recette.

L'eau est certainement l'un des ingrédients les plus importants et trop souvent ignorée lorsqu'il s'agit de faire un excellent café. L'eau utilisée devrait être fraîche, propre et froide. Qu'il s'agisse d'une eau embouteillée ou filtrée, il est préférable qu'elle ne dégage pas de mauvaises odeurs ou qu'elle ait un goût de soufre ou de métal. L'eau distillée n'est pas recommandée, car votre café risque d'avoir un goût fade ou peu relevé.

Le café. La deuxième étape pour réussir un bon café consiste dans l'achat de grains frais et de bonne qualité. Vous pouvez utiliser n'importe laquelle variété de grains de café avec votre cafetière Renaissance XX de Saeco pourvu qu'ils aient été bien moulus. La fraîcheur de votre café moulu déterminera en partie ce que votre café infusé goûtera. N'entrez pas vos grains de café dans le congélateur ou le réfrigérateur parce qu'ils ont tendance à absorber les odeurs des aliments qui y sont placés. Afin de garder votre café frais, conservez-le dans un contenant hermétique à la température ambiante d'un endroit frais et sombre. Protégez votre café contre les quatre (4) éléments suivants : l'air, la lumière, la chaleur et l'humidité, autant de facteurs qui peuvent en altérer la saveur. Le café devrait toujours être moulu frais avant chaque usage afin d'en optimiser la saveur.

La mouture est un facteur important qui permet de déterminer la vitesse à laquelle l'eau chaude filtre à travers le café moulu et y recueille toute sa saveur merveilleuse que l'on recherche. Si la mouture est grosse, l'eau passera à travers trop rapidement et le café infusé semblera faible.

À l'inverse, si la mouture est trop fine et ne permet pas à l'eau chaude d'y passer suffisamment rapidement, le café infusé sera trop fort, trop épuré et amer et il y a risque de débordement du panier-filtre. Nous recommandons une mouture Moyenne qui permet une meilleure interaction entre l'eau et la mouture et qui fait ressortir toute la saveur du café infusé

La recette consiste essentiellement dans la quantité d'eau par rapport à celle du café moulu. Votre goût déterminera la quantité de café moulu utilisé. Un peu moins pour un café faible et un peu plus pour un café fort. Vous trouverez ci-dessous les proportions suggérées par tasse.

Pour infuser	Mesures De Cafe Suggerees
10 Tasses	10 mesures (de 10 à 13 cuillérées à table)
8 Tasses	8 mesures (de 8 à 10 cuillérées à table)
6 Tasses	6 mesures (de 6 à 7 cuillérées à table)
4 Tasses	4 mesures (de 4 à 5 cuillérées à table)
2 Tasses	2 mesures (de 2 à 3 cuillérées à table)

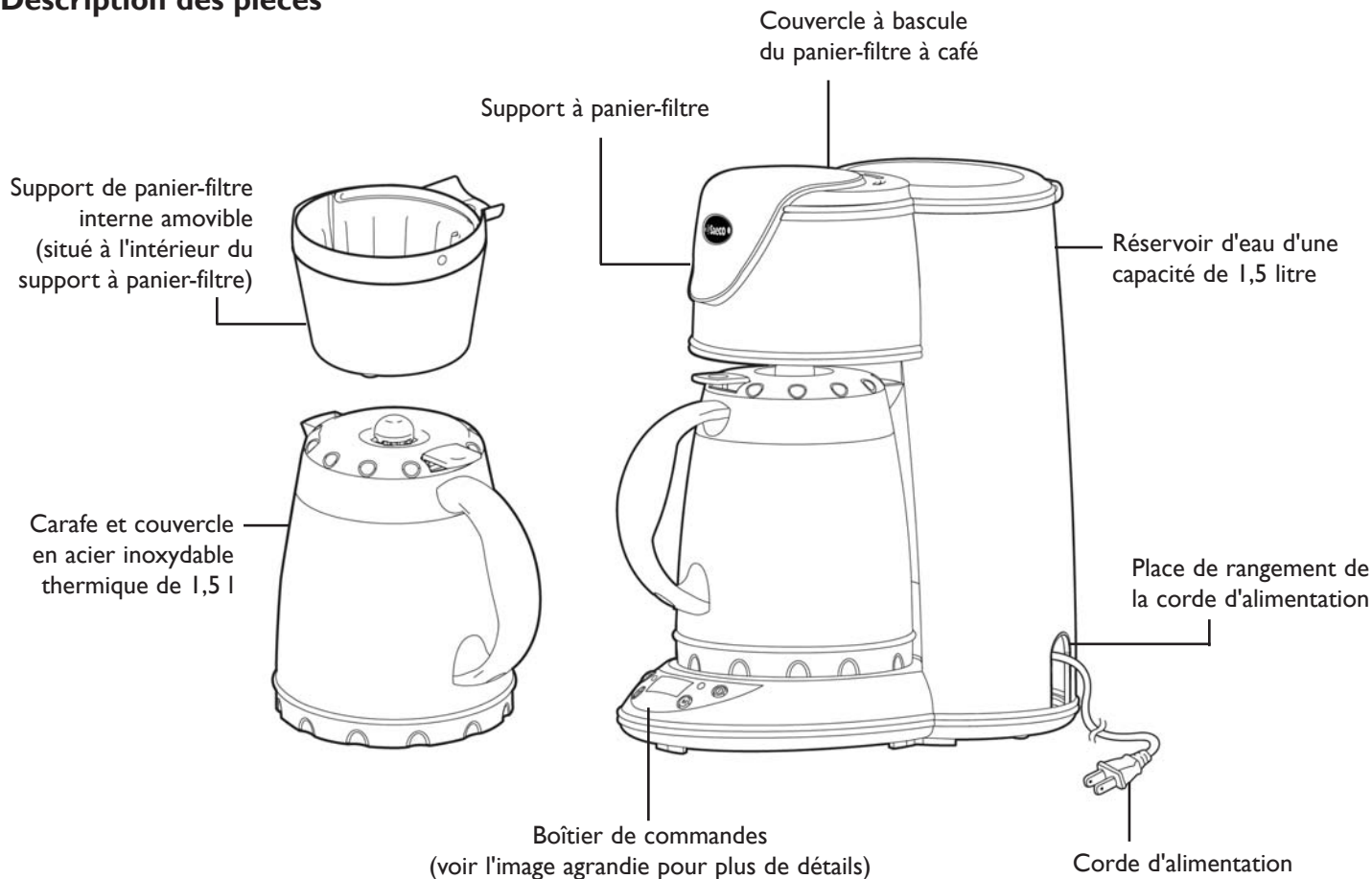
Hint: 1 cup approximated for 6-8 oz of coffee.

Il est important de vous rappeler de toujours utiliser du café frais et moyennement moulu avec votre cafetière Renaissance XX de Saeco.

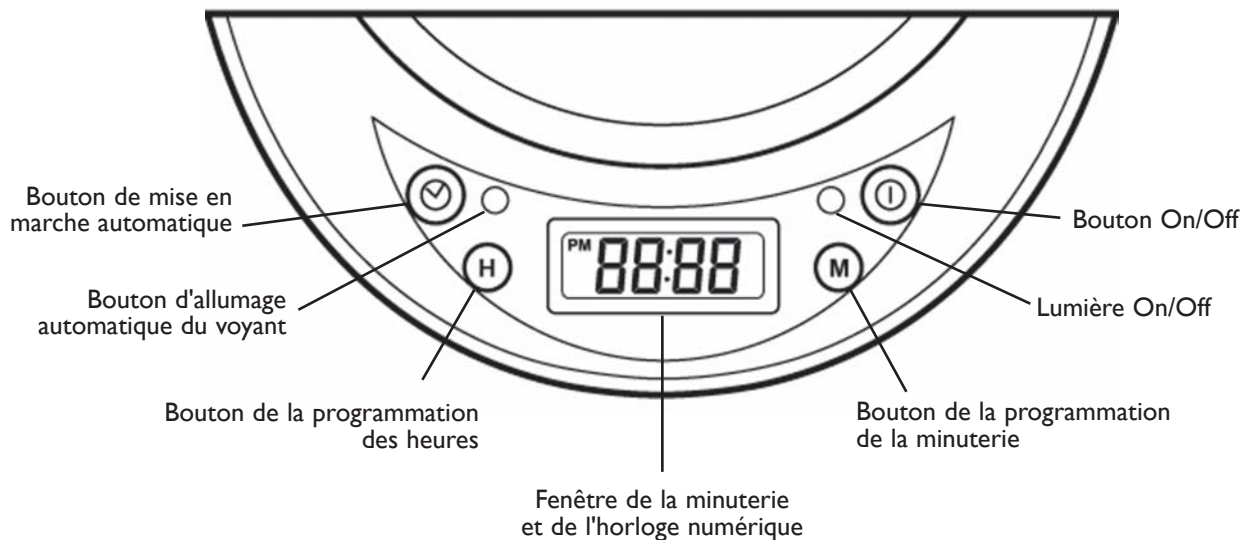
Nous vous remercions d'avoir acheté ce produit SAECO. Pour nous faire part de vos commentaires ou pour toute question concernant ce produit, veuillez visiter notre site Web à www.saeco-usa.com et cliquez sur le lien "Contactez-nous". Nous sommes toujours heureux d'avoir des nouvelles de nos clients!

Service à la clientèle de Saeco
1-800-933-7876
 ou rendez-nous visite sur notre site Web
www.saeco-usa.com

Description des pièces



Boîtier de commandes



Le boîtier de commande est à l'épreuve des éclaboussures, mais non pas à l'épreuve de l'eau. N'immergez jamais le boîtier de commande, cela risque de l'endommager de façon permanente et de rendre ainsi la cafetière inopérante.

Avant d'utiliser votre Renaissance XX de Saeco pour la première fois

(Lisez attentivement toutes les "mises en garde importantes" de même que les "avertissements" de ce manuel.)

1. Lavez toutes les pièces amovibles de votre appareil avec de l'eau chaude. Ne lavez aucune de ces pièces amovibles dans le lave-vaisselle. Les températures dans le lave-vaisselle varient et peuvent modifier pour toujours l'intégrité des pièces amovibles.
2. Déroulez la corde d'alimentation de sa place de rangement située à l'arrière de l'appareil. Redressez la corde d'alimentation minutieusement pour éliminer tous les plis. Rembobinez l'excédent à l'intérieur de la place de rangement, conservant seulement la longueur suffisante pour rejoindre la prise murale.
3. Effectuez un cycle de rinçage en infusant de l'eau seulement puis réglez l'horloge selon les directives à la page 30.
4. Si vous éprouvez des difficultés, veuillez consulter la section de dépannage à la fin de ce manuel ou communiquez avec le service d'assistance à la clientèle au numéro 1-800-933-7876.

Avertissement:

- Ne faites jamais fonctionner votre **Renaissance XX de Saeco** sans eau. Vous risqueriez d'endommager définitivement votre appareil.
- Pour éviter tout débordement, ne jamais remplir le réservoir plus que ce qu'il peut contenir.
- Ne faites jamais fonctionner votre **Renaissance XX de Saeco** avec autre chose que l'eau froide contenue dans le réservoir d'eau.
- Le bloc de commandes est encastré dans un matériel doux au toucher qui est à l'épreuve des éclaboussures, mais non pas à l'épreuve de l'eau. Évitez d'exposer le boîtier de commande à une trop grande quantité d'eau, cela risque de l'endommager de façon permanente et de rendre ainsi la cafetière inopérante.

Préparatif en vue d'utiliser votre cafetière

Avant d'utiliser votre **Renaissance XX de Saeco**, nous vous recommandons de filtrer de l'eau à travers l'appareil afin d'y enlever toute particule ou tout résidu provenant de l'usine. Veuillez noter qu'il ne faut **PAS** utiliser de café lors de ce processus. Voici les étapes à suivre :

1. Remplissez le réservoir avec 1,48 l (50 oz) d'eau.
2. Placez la carafe thermique assemblée dans l'espace pour l'infusion. Assurez-vous de pousser la verseuse jusqu'au fond afin de déclencher le capteur d'insertion.
3. Branchez l'appareil. Appuyez sur le bouton On/Off (de mise en marche ou d'arrêt). Le voyant bleu du bouton On/Off s'allumera et l'eau commencera à couler dans la carafe thermique.
4. Lorsque l'eau aura coulé de moitié, appuyez de nouveau sur le bouton On/Off pour arrêter l'appareil. Laissez l'eau restante reposer dans le réservoir pendant environ 15 à 30 minutes. Appuyez le bouton On/Off de mise en marche pour laisser écouler le restant d'eau à travers l'appareil. L'appareil s'arrêtera automatiquement une fois que l'eau se sera complètement écoulée.

Retirez la verseuse de l'appareil, dévissez le couvercle et jetez l'eau. Laissez l'appareil refroidir pendant au moins 15 minutes. Votre appareil est maintenant prêt à fonctionner.

Programmation de l'horloge

Branchez l'appareil. Réglez l'horloge en appuyant sur les boutons des heures et des minutes jusqu'à l'heure actuelle. L'indicateur PM (après-midi) s'allume en haut à gauche de l'affichage de l'horloge.

AVERTISSEMENT: Le boîtier de commandes est encastré dans un matériel doux au toucher qui est à l'épreuve des éclaboussures, mais non pas à l'épreuve de l'eau. Évitez d'exposer le boîtier de commandes à une trop grande quantité d'eau, cela risque de l'endommager de façon permanente et de rendre ainsi la cafetière inopérante.

Infuser du café dans votre Renaissance XX de Saeco

Le meilleur café commence avec les meilleurs grains de la variété de café arabica. Nous recommandons l'usage de grains de café entiers, torréfiés à la perfection et moulus immédiatement avant l'infusion. Assurez-vous que votre café a été moulu, lors de son achat, selon la grosseur requise par votre appareil. Saeco recommande une mouture moyenne pour cet appareil. Si vous n'êtes pas certain de la grosseur de la mouture ou de ce qui est requis pour votre moulin à café, veuillez communiquer avec le service d'assistance à la clientèle de Saeco au numéro 1-800-933-7876.

1. Branchez votre cafetière.
2. Soulevez (ouvrir) le réservoir d'eau de même que le couvercle du panier-filtre pour accéder au support à panier-filtre. Assurez-vous que le support à panier-filtre amovible est bien en place.
3. Placez un filtre conique no 4 à l'intérieur du support à panier-filtre. Utilisez un filtre no 4 ou un filtre permanent no 4.
4. Versez-y la quantité appropriée de café moulu. Saeco recommande une proportion eau-café équivalente à 1 cuillère à table (5 g) de café moulu pour chaque portion de 180 à 240 ml (6 à 8 oz) d'eau. Vous pouvez adapter ces quantités selon votre goût personnel.

CONSEIL pour infuser votre café: Lorsque vous infusez une carafe pleine de café, près de 120 ml (4 oz) d'eau peut rester dans le café moulu une fois l'infusion terminée. Adaptez votre propre recette d'infusion de manière à obtenir une tasse de café parfaite à chaque fois.

MISE EN GARDE : POUR ÉVITER TOUT DÉBORDEMENT, NE JAMAIS REMPLIR LE RÉSERVOIR PLUS QUE CE QU'IL PEUT CONTENIR.

5. Les couvercles du panier-filtre et du réservoir à eau ouverts, remplissez ce dernier avec de l'eau froide et fraîche (environ 18 °C). Remplissez le réservoir de la quantité d'eau appropriée pour infuser la quantité de café désirée.
6. Refermez les couvercles du panier-filtre et du réservoir à eau. Assurez-vous que le panier-filtre est solidement en place avant de commencer.
7. Placez le couvercle sur la carafe thermique et tournez-le jusqu'à ce qu'il soit en position de blocage. Assurez-vous que le couvercle est bien verrouillé en place avant de commencer à infuser.
8. Placez la carafe thermique dans la cafetière.

Conseil pour bien infuser votre café: Nous recommandons de réchauffer au préalable votre carafe en la remplissant et en la rinçant avec de l'eau chaude afin de conserver la température générale de votre café infusé.

9. Appuyez sur le bouton On/Off pour mettre en marche de l'appareil. Le voyant s'allumera.
10. La cafetière s'arrêtera automatiquement et la lumière s'éteindra lorsque l'infusion sera terminée.

Programmation de la minuterie automatique

Le dispositif de programmation de votre **Renaissance XX de Saeco** vous permet d'avoir votre café prêt au moment de votre réveil. Directives pour programmer votre cafetière:

1. Préparez votre cafetière de la façon indiquée de l'étape 1 à 8 de la section Infusion du café.
2. Pressez et maintenez le bouton de programmation ("Prog") pendant une seconde. L'affichage de la minuterie changera pour indiquer l'heure actuelle programmée. Pressez les boutons "hour" (heure) et "minute" pour modifier l'heure de programmation à celle désirée. Si vous attendez plus de trois (3) secondes avant de commencer à régler la programmation, l'heure de l'horloge s'affichera de nouveau. Vous devez alors reprendre les étapes ci-dessus pour programmer de nouveau.
3. Une fois que vous avez programmé l'heure désirée, pressez le bouton "Auto On" (mise en marche du dispositif automatique).
4. Le temps d'infusion programmé s'affichera momentanément et le voyant bleu "Auto On" s'allumera, confirmant ainsi le réglage de la programmation automatique pour l'heure désirée. Lorsque l'infusion commencera, le voyant s'allumera.

AVERTISSEMENT: Le bloc de commandes est encastré dans un matériel doux au toucher qui est à l'épreuve des éclaboussures, mais non pas à l'épreuve de l'eau. Évitez d'exposer le boîtier de commande à une trop grande quantité d'eau, cela risque de l'endommager de façon permanente et de rendre ainsi la cafetière inopérante.

Entretien et nettoyage

1. **Mise en garde : Il est important de fermer et de débrancher votre Renaissance XX de Saeco et de le laisser bien refroidir avant de le nettoyer si vous désirez éviter de vous blesser ou de subir un choc électrique**
2. Essuyez tant l'extérieur que l'intérieur de votre carafe thermique et de votre cafetière avec un linge humide puis séchez-les minutieusement.
3. Lavez à la main et dans une eau chaude savonneuse l'intérieur de la carafe et toutes les pièces amovibles de la cafetière. Rincez à fond et séchez. Ne les mettez pas dans un lave-vaisselle. Les températures dans le lave-vaisselle varient et peuvent modifier pour toujours l'intégrité des pièces amovibles.
4. N'utilisez jamais de produits de nettoyage puissants, tout particulièrement ceux à base d'alcool, de solvants ou d'abrasifs pour nettoyer votre **Renaissance XX de Saeco**.
5. Nous recommandons de décalcifier votre appareil tous les trois (3) mois .

Conseil: Des marques peuvent apparaître après un certain temps sur l'acier inoxydable s'il n'est pas nettoyé périodiquement. Assurez-vous de bien nettoyer l'acier inoxydable de l'extérieur de votre carafe thermique.

Décalcification

L'eau contient des minéraux et des impuretés qui peuvent obstruer la plomberie interne et affecter la durée d'échauffement, le processus d'infusion, le rendement de même que le goût du café infusé par votre appareil. Nous recommandons de décalcifier votre appareil tous les trois (3) mois pour enlever les accumulations et permettre à celui-ci de fonctionner rondement. Nous recommandons pour décalcifier votre **Renaissance XX de Saeco** que vous utilisiez le produit de décalcification de la marque Saeco. Vous pouvez acheter ce produit sur le site Web www.saeco-usa.com ou en appelant au service d'assistance à la clientèle de Saeco au numéro 1-800-933-7876. Vous pouvez également utiliser un nettoyeur à cafetière que vous pourrez vous procurer chez votre épicier local. Veuillez noter qu'il ne faut PAS utiliser de café lors de ce processus.

Voici les étapes à suivre:

1. Remplissez le réservoir d'eau de 1,48 litre d'eau. Versez le liquide à décalcifier directement dans le réservoir d'eau.
2. Placez la carafe thermique assemblée dans l'espace pour l'infusion. Assurez-vous de pousser la carafe jusqu'au fond afin de déclencher le capteur d'insertion.
3. Branchez l'appareil. Appuyez sur le bouton On/Off (de mise en marche ou d'arrêt). Le voyant rouge du bouton On/Off s'allumera et la solution commencera à couler dans la carafe thermique.
4. Lorsque l'eau aura coulé de moitié, appuyez de nouveau sur le bouton On/Off pour arrêter l'appareil. Laissez l'eau restante reposer dans le réservoir pendant environ 15 à 30 minutes. Appuyez le bouton On/Off de mise en marche pour laisser écouler le restant d'eau à travers l'appareil. L'appareil s'arrêtera automatiquement une fois que l'eau se sera complètement écoulée.
5. Retirez la carafe thermique de la cafetière à égouttement, dévissez le couvercle et jetez la solution. Laissez l'appareil refroidir pendant au moins 15 minutes. Lavez et rincez le réservoir à eau et la carafe thermique.
6. Remplissez de nouveau le réservoir à eau avec 1,48 litre d'eau fraîche, remplacez la carafe thermique avec son couvercle en position de blocage puis faites circuler l'eau pour un cycle d'infusion complet.
7. Jetez l'eau et laissez refroidir l'appareil pendant au moins 15 minutes. Répétez l'étape six (6) pour vous assurer que toute la solution a été bien rincée de l'unité d'infusion

Dépannage Si vous avez des inquiétudes ou que vous éprouvez des difficultés avec votre **Renaissance XX de Saeco**, voici quelques façons de résoudre vos problèmes. Si vous avez besoin davantage d'aide, veuillez communiquer avec le service d'assistante à la clientèle de Saeco au numéro 1-800-933-7876.

Inquiétudes	Solutions possibles
L'appareil ne fonctionne pas.	La cafetière n'est pas branchée. Vérifiez la prise murale (source d'alimentation). Le fusible peut être brûlé.
Il y a des grains de café dans le café infusé.	La mouture du café est trop fine. Il y a trop de café dans le panier-filtre. La carafe n'a pas été correctement encastrée. Le support du panier-filtre amovible doit être nettoyé ou il n'a pas été inséré dans le support. Il n'y a pas de filtre no 4 dans le panier-filtre interne.
Le café n'est pas suffisamment chaud.	La carafe thermique doit être préchauffée avec de l'eau chaude. La cafetière doit être décalcifiée. Le café utilisé n'était pas à la température ambiante.
Le couvercle de la carafe ou la carafe même dégage une mauvaise odeur.	Une pièce de la cafetière doit être nettoyée. Veuillez consulter la section relative au nettoyage et à la décalcification pour les directives.
L'appareil déborde.	L'eau chaude ne réussit pas à passer à travers l'ouverture à la base du support du panier-filtre. Retirez le support à panier-filtre et nettoyez-le à fond manuellement. Vérifiez s'il n'y a pas de café qui bloque l'écoulement; Il y a trop d'eau qui reste dans la chambre d'infusion et qui déborde lorsque qu'on retire la carafe pour verser une tasse de café; Remettez la carafe en place et laissez poursuivre le cycle d'infusion Il se peut qu'il y ait trop d'eau dans le réservoir
Le boîtier de commandes ne fonctionne pas; Aucune lumière ne s'allume lorsque je mets ma cafetière en marche.	Le matériel qui protège le boîtier de commande est à l'épreuve des éclaboussures, non pas à l'épreuve de l'eau. S'il y a de l'eau à l'intérieur du boîtier de commandes, cela peut entraîner un délai jusqu'à ce qu'il soit redevenu sec. Les boutons ne veulent pas fonctionner et parfois les lumières sur l'horloge s'éteignent. Débranchez l'appareil et laissez-le sécher pendant quelques heures.
Une des pièces est brisée.	Communiquez avec le service d'assistance à la clientèle de Saeco au 800-933-7876.

Saeco Garantie Limitée

Cette garantie d'une (1) année, à compter de la date d'achat, couvre tous les défauts de main d'oeuvre et d'équipement de ce produit fabriqué par la compagnie Saeco É.-U. en ce qui concerne les pièces mécaniques et électriques et découlant d'une utilisation et d'un entretien normaux. Une preuve d'achat valable devra être fournie avant que tout service en vertu de cette garantie ne soit offert. Une preuve d'achat valable consiste en un reçu d'un fournisseur reconnu stipulant l'article, la date d'achat de même que le montant payé. Le reçu d'un fournisseur reconnu stipulant qu'il s'agit d'un article obtenu en cadeau et avec la date d'achat est également acceptable comme preuve d'achat. Le produit est destiné à un usage domestique uniquement. Tout usage commercial rend cette garantie nulle et sans effet.

Qui est couvert?

L'acheteur original ou le récipiendaire du cadeau qui peut soumettre une preuve d'achat d'un fournisseur reconnu par Saeco É.-U.

Qui n'est pas couvert?

Un mauvais usage et un mauvais entretien peuvent endommager le produit. Saeco É.-U. n'est pas responsable pour toute dépense découlant de tels dommages, y compris le transport, l'expédition et la réparation à la suite d'un mauvais usage et entretien.

Que fera-t-on?

Au cours de la période couverte par cette garantie et selon qu'il y a eu utilisation et un entretien normaux, Saeco É.-U. réparera ou remplacera, à sa discrétion, toute pièce mécanique ou électrique défectueuse avec un modèle semblable. Le produit réparé ou remplacé est garanti pour une (1) année à compter de la date d'achat ou pour 90 jours, le plus élevé des deux prévalant.

Comment pouvez-vous obtenir du service?

Veuillez appeler au numéro 1-800-933-7876 pour demander de l'aide. On émettra une autorisation de retourner l'appareil si cela s'avère nécessaire. Tous les services en vertu de cette garantie doivent être effectués par Saeco É.-U. ou par un centre de service ou un fournisseur autorisé par elle. Veuillez communiquer avec Saeco É.-U. pour tous les détails. Une réparation ou une tentative de réparation par une personne non autorisée rend cette garantie nulle et sans effet.

Tout produit, dont le retour n'a pas été autorisé, ne sera pas accepté et il sera retourné à son expéditeur aux frais de celui-ci.

Dans l'éventualité qu'un service est requis :

- Une preuve d'achat valable doit être soumise à Saeco É.-U. avant de retourner le produit afin d'obtenir un service en vertu de cette garantie. Conservez toujours une copie de votre preuve d'achat dans vos dossiers.
- Le numéro d'autorisation de retour émis par Saeco É.-U. est nécessaire afin d'obtenir un service en vertu de cette garantie et il doit être très en évidence sur le carton d'expédition.
- Saeco É.-U. n'est pas responsable de la perte et tout dommage encouru lors de l'envoi de l'appareil.
- Assurez-vous d'inclure tous les accessoires ou toutes les composantes connexes au problème survenu au produit.
- Emballez le produit soigneusement. Saeco É.-U. n'est pas responsable de toute dépense encourue pour transport et l'expédition du produit.
- Conservez tous les renseignements relatifs à la localisation du produit en guise de protection contre la perte ou des dommages causés lors de l'envoi.

CETTE GARANTIE LIMITÉE COUVRE LES PRODUITS ACHETÉS ET UTILISÉS AUX ÉTATS-UNIS ET NE COUVRE PAS:

- Les dommages résultant d'une mauvaise installation;
- les dommages causés lors d'une expédition;
- les défauts autres que les défauts de fabrication;
- les dommages résultant d'une mauvaise utilisation, d'abus, d'accidents, de modifications, d'un manque de soins et d'entretien ou d'un courant électrique ou d'un voltage inapproprié;
- les dommages résultant d'un service effectué par un centre de service ou un fournisseur autre que ceux reconnus par Saeco É.-U.. Veuillez communiquer avec Saeco É.-U. pour tous les détails.
- toute dépense connexe au transport et à l'expédition.

Le fabricant ne donne aucune garantie, expresse ou implicite, y compris et sans limitation, toute garantie de conformité ou de commercialisation, à l'exception de ce qui est édicté ci-dessus en ce qui a trait à ces produits et ces pièces. Le fabricant n'encourra aucune autre obligation ou responsabilité de sa part ou ne sera responsable pour tout profit prévu ou perdu, dommages consécutifs ou corrélatifs, tarifications à la durée ou tout autres pertes survenues en relation avec l'achat, l'installation, le remplacement ou la réparation de ces produits ou de pièces, qu'il s'agisse d'un équipement original ou installé à titre de remplacement en vertu de cette garantie ou autrement et le fabricant n'autorise personne à prétendre en son nom qu'il puisse exister tout autre élément de responsabilité en regard de ces produits et de ces pièces. Le fabricant n'assume aucune responsabilité pour tout retard à donner suite à ses obligations en vertu de la présente garantie si le manque découle, directement ou indirectement, de tout motif hors de son contrôle, y compris, mais sans en exclure d'autres, des catastrophes naturelles, des décisions gouvernementales, des inondations, des incendies, des pénuries de matériels, des arrêts de travail et tout autre problème de main d'oeuvre, retards ou manques de moyens de transport. Cette garantie vous accorde des droits légaux précis et vous pouvez posséder d'autres droits qui peuvent varier d'un État à l'autre.

Indice de Materias

Indice de Materias	38
Recomendaciones importantes de seguridad	39
Advertencias	41
Instrucciones para el cable corto	42
Información acerca de las pruebas de fábrica	42
Su nueva Saeco Renaissance XX	43
Cuatro Factores	43
Descripción de las partes	45
Cuadro de control	46
Preparación de la cafetera para uso	47
Preparación de café en la Saeco Renaissance XX!	49
El temporizador automático	50
Cuidado y limpieza	50
Descalcificación	51
Detección y solución de problemas	52
Garantía limitada	53

RECOMENDACIONES IMPORTANTES DE SEGURIDAD

Cuando utilice artículos eléctricos siempre debe tener en cuenta algunas precauciones básicas de seguridad para reducir el riesgo de incendio, descargas eléctricas o lesiones personales.

1. Lea detenidamente todas las instrucciones antes de usar la cafetera.
2. No toque las superficies calientes. Utilice las manijas o perillas.
3. Para evitar descargas eléctricas, no sumerja la base, cable o enchufe de la cafetera en agua ni en otros líquidos.
4. Cuando los niños utilicen un artículo eléctrico o cuando éste se utilice cerca de ellos, es necesario supervisar su operación.
5. No haga mal uso del cable eléctrico. Nunca use el cable eléctrico para cargar la cafetera ni lo jale para desenchufarlo de una toma eléctrica; más bien, tome el enchufe firmemente y jálelo para desconectar el cable.
6. No utilice ningún artículo eléctrico que tenga el cable o el enchufe dañado. No utilice la cafetera después de que haya estado funcionado mal o sufrido algún tipo de daño. Regrese el artículo a un centro de servicio para su revisión, reparación o ajuste eléctrico o mecánico. Para asistencia llame a Servicio al cliente de Saeco al teléfono gratuito 1-800-933-7876.
7. El uso de accesorios no evaluados para emplearse con este aparato o no adquiridos con el fabricante puede resultar en lesiones, incendio o descargas eléctricas.
8. La garrafa térmica está fabricada para usarse solamente con esta cafetera. No utilice la garrafa con ninguna otra cafetera de filtro; ADEMÁS, esta garrafa no debe usarse para sustituir a otra en una cafetera de filtro. Nunca coloque esta garrafa sobre un hornillo, dentro de un horno de microondas ni la use con otras fuentes de calor.
9. No deje que el cable eléctrico cuelgue de la mesa o mostrador ni que toque superficies calientes, incluyendo la estufa.

RECOMENDACIONES IMPORTANTES DE SEGURIDAD (cont.)

10. Apague la cafetera y desconéctela de la toma eléctrica cuando no la utilice o cuando vaya a limpiarla.
Deje enfriar la cafetera antes de colocarle o quitarle partes y antes de limpiarla.
11. No trate de desarmar la garrafa.
12. No coloque la cafetera o garrafa encima o cerca de un quemador a gas o eléctrico caliente ni dentro de un horno caliente.
13. Deje que la canasta del filtro se enfríe antes de retirarla.
14. No utilice la garrafa si tiene el asa floja.
15. Este artículo está fabricado solamente para uso doméstico y no para uso comercial o industrial.
16. No utilice este artículo con un fin distinto para el que ha sido fabricado.
17. Para reducir el riesgo de incendio o descargas eléctricas, no quite la protección de la parte inferior.
El usuario no debe intervenir las partes internas. Solamente el personal de servicio autorizado puede hacer reparaciones.
18. No encienda la cafetera en presencia de explosivos o vapores inflamables.
19. No utilice la cafetera en el exterior.
20. Lave todas las partes desmontables a mano antes de usarlas por primera vez.
No coloque partes desmontables en una máquina lavaplatos.
21. No sumerja la garrafa en agua.
22. Las flechas de la tapa deben alinearse y la garrafa debe insertarse completamente para evitar que el líquido se derrame.

GUARDE ESTAS INSTRUCCIONES!

Advertencias!

PARA EVITAR DESCARGAS ELÉCTRICAS:

- Para reducir el riesgo de incendio o descargas eléctricas, no quite las protecciones usadas para mantenimiento. El usuario no debe intervenir las partes internas. Las reparaciones deben ser hechas solamente por personal autorizado.
- Mantenga la cafetera fuera del alcance de los niños.
- No derrame agua u otros líquidos sobre la estructura de la cafetera.

PARA EVITAR LESIONES DE OTRAS FORMAS:

- Evite al contacto directo del aparato con vapores.
- No utilice la **Saeco Renaissance XX** sin agua.
- No utilice la **Saeco Renaissance XX** si presenta fugas.
- Mantenga sus manos y cable eléctrico lejos de las partes calientes durante el funcionamiento del aparato.
- Nunca talle el aparato vigorosamente ni use herramientas rígidas u otras que puedan dañarlo.

Aviso:

Se ha hecho un esfuerzo considerable para asegurar que este manual esté exento de imprecisiones y omisiones. Sin embargo, debido que constantemente mejoramos nuestro conocimiento sobre café y productos, alguna información contenida en éste puede haber cambiado después de que se imprimió. Si usted necesita una especificación exacta o información adicional, comuníquese con Servicio al cliente de Saeco al teléfono 800-933-7876.

Instrucciones para el cable corto

Se ha proporcionado un cable corto para reducir el riesgo de tropezarse o enredarse de alguna manera con un cable más largo. Existen cables de extensión más largos que pueden utilizarse con el debido cuidado.

En referencia al conjunto del cable:

1. Se proporciona un cable eléctrico corto para reducir el riesgo que representa enredarse con un cable largo.
2. Hay cables eléctricos desprendibles más largos o extensiones que pueden utilizarse con el debido cuidado.
3. Si utiliza un cable eléctrico largo desprendible, (A) la capacidad eléctrica marcada en el cable o extensión debe ser por lo menos de la misma capacidad marcada en el artículo eléctrico; (B) si el artículo eléctrico tiene conexión a tierra, el cable eléctrico debe ser para conexión a tierra con tres polos; y (C) el cable largo debe arreglarse de tal modo que no cuelgue del mostrador o mesa donde pueda ser jalado por los niños o con el que se puedan tropezar.
4. Este aparato tiene un enchufe polarizado (una de las clavijas es más ancha que la otra). Como medida de seguridad, este enchufe entra en una toma eléctrica polarizada en una sola forma. Voltee el enchufe si no entra completamente en la toma eléctrica. Si aún así no entra, consulte a un electricista. No intente eliminar esta función de seguridad.

Información acerca de las pruebas de fábrica

Para garantizar que su **Saeco Renaissance XX** funcionará a la perfección en su hogar, nuestra fábrica hace pruebas de fugas, temperatura de preparación de café y otras pruebas de funcionamiento en algunas cafeteras antes de enviarlas. Ocasionalmente alguna máquina nueva puede contener aún residuos de café o agua provenientes de las pruebas aleatorias de fábrica. Si usted encuentra esos residuos en su cafetera, simplemente límpiela según se indica en "Antes de usar la **Saeco Renaissance XX** por primera vez".

Felicidades por comprar la Saeco Renaissance XX!

Saeco, ubicada en el Norte de Italia, es el principal fabricante de máquinas para café estilo europeo. Saeco ha trabajado diligentemente para garantizar que la preparación doméstica de café sea una experiencia exitosa y satisfactoria. Hemos puesto 25 años de experiencia en producción en nuestra línea innovadora de cafeteras para el hogar. Su nueva **Saeco Renaissance XX** está fabricada para ofrecerle el mejor café durante años. El sistema preciso de preparación calienta el agua a una temperatura ideal para preparar un café excepcional y la garrafa térmica permite preparar, servir y disfrutar un excelente café con estilo.

Cuatro Factores

Para lograr los mejores resultados con su nueva cafetera **Renaissance XX**, nuestros expertos en café han aportado algunos principios básicos para obtener el mejor café. Hay cuatro factores clave importantes para que usted obtenga SU taza ideal de café. Éstos son: El agua, el café, el molido y la receta.

El agua es uno de los ingredientes fundamentales y frecuentemente más ignorados al preparar buen café. El agua usada debe ser potable y estar limpia y fría. Se recomienda el agua embotellada o filtrada exenta de olores o sabores desagradables como el del azufre o el del hierro. No se recomienda el agua destilada porque puede dejar un sabor soso o insípido.

El café. La compra de café en grano fresco y de buena calidad es el segundo paso para hacer buen café. Se puede usar cualquier tipo de grano molido correctamente con su cafetera **Saeco Renaissance XX**. La frescura de su café determina en parte el grado de sabor que tendrá su café preparado. No almacene grano de café en su congelador o refrigerador porque el grano tiende a adquirir el sabor de los alimentos almacenados allí. Para mantener el café fresco, guárdelo en un envase hermético a temperatura ambiente en un lugar frío y oscuro. Proteja su café de estos cuatro elementos: aire, luz, calor y humedad, todos los cuales disminuyen en gran medida su sabor. Para obtener el mejor resultado, el café debe molerse para cada preparación.

El molido es la clave para regular la rapidez con la que el agua caliente pasa a través del grano y adquiere todos esos maravillosos aromas del café. Si el molido es demasiado grueso, el agua pasa demasiado rápido y el café resultante con frecuencia parece ligero.

Contrariamente, un molido demasiado fino no deja pasar el agua lo suficientemente rápido por el grano dando como resultado un café muy fuerte, excesivamente extraído y amargo, y posiblemente derrame de agua en la canasta del filtro. Recomendamos el molido MEDIO, que proporciona al agua caliente el grado adecuado de interacción con los molidos con el fin de extraer el mejor café preparado.

La receta es simplemente la proporción de agua y el café molido. Ajuste la cantidad de café molido usado según su gusto. Menos para café ligero, más para café fuerte. A continuación están las proporciones que sugerimos por taza.

Para preparar	Cantidades de café molido sugeridas
10 Tazas	10 porciones (10-13 cucharadas soperas)
8 Tazas	8 porciones (8-10 cucharadas soperas)
6 Tazas	6 porciones (6-7 cucharadas soperas)
4 Tazas	4 porciones (4-5 cucharadas soperas)
2 Tazas	2 porciones (2 cucharadas soperas)

Consejo: 1 taza equivale aproximadamente a 180-240 ml (6-8 oz) de café.

Recuerde usar siempre café fresco de molido medio en su nueva cafetera Renaissance XX.

Gracias por comprar este producto SAECO. Para hacer llegar sus comentarios, información o preguntas, visite nuestra página en Internet, www.saeco-usa.com, e ingrese en "Contact us". Estamos siempre esperando escuchar a nuestros clientes!

Servicio al cliente de Saeco
1-800-933-7876
O visite nuestra página en Internet
www.saeco-usa.com

Descripción de las partes

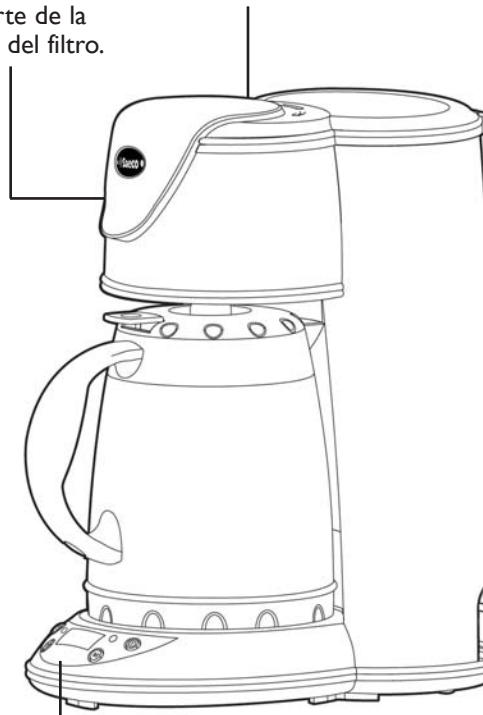
Soporte desprendible interno de la canasta del filtro (ubicado dentro del soporte de la canasta del filtro).



Garrafa térmica de acero inoxidable y tapa con capacidad de hasta 1.5 litro.



Soporte de la canasta del filtro.



Tapa de fácil apertura de la canasta del filtro.

Depósito de agua con capacidad de 1.5 litro.

Compartimento para el cable eléctrico.

Cable eléctrico.

Cuadro de control (ea la vista expandida para observar los detalles).

Control Pad



**** El cuadro de control es a prueba de salpicaduras pero no a prueba de agua.
No exponga excesivamente el cuadro de control al agua;
éste puede resultar dañado permanentemente y dejar la cafetera inoperable**

Antes de usar la Saeco Renaissance XX por primera vez

(Lea todas las "recomendaciones importantes de seguridad" y "advertencias" en este manual)

1. Lave todas las partes desmontables con agua tibia. No lave ninguna de estas partes en máquina lavaplatos. Las temperaturas de la máquina pueden variar y alterar permanentemente la integridad de las partes desmontables.
2. Desenrolle el cable eléctrico del compartimento ubicado en la parte posterior de la máquina. Estire el cable completamente para deshacer las torceduras. Enrolle el sobrante y colóquelo en el compartimento, dejando solamente la longitud necesaria para alcanzar la toma.
3. Ejecute un ciclo de lavado circulando únicamente agua y luego ajuste el reloj de acuerdo con las siguientes instrucciones.
4. Si se presentan problemas, consulte la sección de detección y solución de problemas en la parte final de este manual o llame a Servicio al cliente de Saeco al teléfono 1-800-933-7876

Precaución:

- Nunca haga funcionar su **Saeco Renaissance XX** sin agua. Si lo hace dañará la cafetera permanentemente.
- Para que no se derrame, nunca llene el depósito de agua con mas agua que cabe en la garrafa térmica.
- Nunca use su **Saeco Renaissance XX** con ningún líquido excepto agua fría en el depósito de agua.
- El cuadro de control está enmarcado en un material sensible al tacto a prueba de salpicaduras pero no a prueba de agua. No exponga excesivamente el cuadro de control al agua; éste puede resultar dañado permanentemente y dejar la cafetera inoperable.

Preparación de la cafetera para uso

Antes de usar su **Saeco Renaissance XX**, recomendamos filtrar el agua en una máquina para eliminar partículas de polvo o residuos que la cafetera pueda haber retenido en la fábrica. Tenga presente que durante este proceso **NO** se debe usar café. Éstos son los pasos:

1. Vierta en el depósito 1.5 litre (50 oz) de agua.
2. Coloque la garrafa térmica en el espacio de preparación del café. Asegúrese de empujar la garrafa en la cafetera para activar el sensor de inserción de la garrafa.
3. Conecte la cafetera. Presione el botón de encendido. La luz azul arriba del botón de encendido se enciende y el agua empieza a circular hacia la garrafa térmica.
4. Una vez que se haya transferido aproximadamente la mitad del agua, presione el botón de encendido. Permita que el agua restante repose para remojar durante 15 a 30 minutos. Presione el botón de encendido a la posición ON y deje que el agua restante circule por la máquina. La máquina se apagará automáticamente cuando toda el agua haya circulado.

Retire la garrafa de la máquina, desatornille la tapa y deseche el agua de la garrafa. Deje enfriar la máquina durante por lo menos 15 minutos. Su cafetera está lista para usarse!

Programación del reloj

Conecte la cafetera. Ponga a tiempo el reloj presionando los botones de horas y minutos. Una luz pequeña en el lado superior izquierdo de la pantalla del reloj indica PM.

PRECAUCIÓN: El cuadro de control está enmarcado en un material sensible al tacto resistente al agua pero no a prueba de agua. No exponga excesivamente el cuadro de control al agua; éste puede resultar dañado permanentemente y dejar la cafetera inoperable.

Preparación de café en la Saeco Renaissance XX

El mejor café comienza con grano de café arábica. Recomendamos usar grano entero, tostado a la perfección y molido inmediatamente antes de preparar. Asegúrese de obtener el café molido exacto requerido por la máquina en el momento comprar. Saeco recomienda un molido medio para esta cafetera. Si tiene dudas acerca del grado de molido o sobre su moledora doméstica, llame a Servicio al cliente de Saeco al teléfono 1-800-933-7876.

1. Conecte la cafetera.
2. Levante la tapa del depósito de agua y la tapa de filtro para tener acceso al soporte de la canasta del filtro. Asegúrese de que el soporte interno desmontable de la canasta del filtro esté en su lugar.
3. Coloque un filtro #4 en el soporte interno de la canasta del filtro ubicado en el soporte de la canasta del filtro. Utilice un filtro #4 de papel o un filtro permanente #4.
4. Coloque la cantidad apropiada de café molido en el filtro #4. Saeco recomienda una proporción de café a agua de 1 cucharada normal (5 gramos) de café molido por cada 177-236 ml (6-8 oz) de agua; usted puede ajustar esta receta para satisfacer su gusto particular.

PRECAUCIÓN, CONSEJO para preparar café: Cuando se prepara una garrafa llena, pueden quedar hasta 120 ml (4 oz) de agua absorbidos por el café molido una vez terminada la preparación. Ajuste su receta de preparación para asegurar una taza perfecta cada vez que se sirva.

ADVERTENCIA: Para que no se derrame, nunca llene el depósito de agua con mas aqua que cabe en la garrafa térmica.

5. Con la tapa de la canasta del filtro y del depósito de agua levantada (abierta), llene el depósito con agua fría y potable (aproximadamente a 18° C ó 65° F). Llene el depósito de agua hasta el nivel adecuado para preparar la cantidad deseada de café.
6. Cierre las tapas de la canasta del filtro y del depósito de agua. Verifique que la canasta del filtro quede asegurada en su lugar antes de proceder.
7. Coloque la tapa en la garrafa girándola hasta que se trabe en su lugar. Verifique que la tapa esté asegurada en su lugar antes de preparar café.
8. Coloque la garrafa térmica en la cafetera.

Consejo para preparar café: El precalentamiento de la garrafa llenándola y enjuagándola con agua antes de preparar café puede ayudar a mantener la temperatura en general del café preparado.

9. Presione el botón de encendido (On). La luz de preparación de café se ilumina.
10. Al terminar la preparación, la cafetera se detiene automáticamente y la luz de preparación de café se apaga.

Programación de la función del temporizador automático

La función de programación de la **Saeco Renaissance XX** le permite despertar en la mañana con café preparado. Para programar la cafetera:

1. Prepare la cafetera según se indica en la sección de preparación de café, pasos 1 a 8.
2. Presione el botón de programa (Prog) durante un segundo. La visualización de la hora cambia para mostrar la hora actual programada. Presione los botones "hour" y "minute" para cambiar la hora programada a la hora que desea programar. Si espera más de tres segundos para empezar a ajustar la hora, la función de hora del reloj se mostrará nuevamente. Entonces deberá repetir los pasos anteriores para programar el reloj.
3. Una vez que haya terminado la programación, presione el botón "Auto On".
4. La hora para preparación programada de café se muestra brevemente y la luz azul "Auto On" se ilumina, confirmando que todo está listo para preparación automática de café a la hora programada. La luz indicadora se ilumina una vez que inicie la preparación del café

PRECAUCIÓN: El cuadro de control está enmarcado en un material sensible al tacto a prueba de salpicaduras pero no a prueba de agua. No exponga excesivamente el cuadro de control al agua; éste puede resultar dañado permanentemente y dejar la cafetera inoperable.

Cuidado y Limpieza

1. **Advertencia: Para evitar lesiones personales graves y descargas eléctricas es esencial apagar y desconectar la cafetera y dejar que se enfríe completamente antes de limpiarla.**
2. Limpie el exterior de la garrafa térmica y de la cafetera con un trapo húmedo y luego séquela completamente.
3. Lave el interior de la garrafa y todas las partes desmontables de la cafetera a mano con agua tibia y jabonosa. Enjuague completamente y seque. No la lave con la máquina lavaplatos. La temperatura de la máquina lavaplatos puede variar y alterar permanentemente la estructura de las partes desmontables.
4. Nunca lave su **Saeco Renaissance XX** con agentes de limpieza fuertes, especialmente aquellos que contienen alcohol, disolventes o materiales abrasivos.
5. Le recomendamos descalcificar la cafetera cada tres meses.

Consejo: Si el acero inoxidable no se limpia periódicamente puede mostrar marcas externas de agua con el paso del tiempo. Asegúrese de limpiar el exterior de la garrafa térmica, construida con acero inoxidable.

Descalcificación

El agua transporta minerales e impurezas que pueden llegar a obstruir los tubos internos y afectar el tiempo de calentamiento, el proceso de calentamiento y el funcionamiento y sabor general del café preparado en su cafetera. Le recomendamos descalcificar la cafetera cada tres meses para eliminar esta acumulación y mantener un funcionamiento estable de la cafetera. Para descalcificar su **Saeco Renaissance XX** recomendamos utilizar el descalcificador de Saeco que puede adquirir en www.saeco-usa.com o llamando a Servicio a clientes de Saeco al teléfono 800-933-7876. Puede usar también limpiador para cafeteras disponible en su supermercado local. Tenga presente que durante este proceso **NO** se debe usar café.

Éstos son los pasos:

1. Llene el depósito de agua con 1.5 litro (48 oz) de agua; vacíe la solución removedora de escamas directamente en el depósito de agua.
2. Coloque la garrafa térmica en el espacio de preparación del café. Asegúrese de empujar la garrafa en la cafetera para activar el sensor de control de la garrafa.
3. Conecte la cafetera. Presione el botón de encendido. La luz roja del botón de encendido se enciende y la solución empieza a circular hacia la garrafa térmica.
4. Una vez que se haya transferido aproximadamente la mitad de la solución, presione el botón de encendido para apagar la máquina. Permita que la solución restante repose en el depósito durante 15 a 30 minutos. Presione el botón de encendido a la posición On y deje que la solución restante circule por la máquina. La máquina se apagará automáticamente cuando toda la solución haya circulado.
5. Retire la garrafa de la cafetera, desatornille la tapa y deseche la solución. Deje enfriar la máquina durante por lo menos 15 minutos. Lave y enjuague el depósito de agua y la garrafa.
6. Vuelva a llenar el depósito de agua con 1.5 litro (50 ml) de agua potable, cambie la garrafa térmica con la tapa volteada hasta que se encuentre en su posición asegurada y luego recircule agua durante un ciclo completo de preparación.
7. Deseche el agua y deje enfriar la cafetera por lo menos durante 15 minutos. Repita el paso 6 para asegurar que la solución haya salido de la unidad de preparación.

Detección y solución de problemas

Si tiene dudas o dificultades con su **Saeco Renaissance XX**, las siguientes son algunas ideas de posibles soluciones. Si necesita asistencia adicional comuníquese con Servicio al cliente de Saeco al teléfono 1-800-933-7876.

PROBLEMAS:	SOLUCIONES POSIBLES:
La cafetera no funciona	Revise si la cafetera está conectada. Revise la toma (fuente de energía); puede haber un fusible quemado.
Hay restos de molido en el café preparado.	El molido de café es demasiado fino. Hay demasiado café en la canasta del filtro. La garrafa no se insertó completamente. El soporte interno desmontable de la canasta del filtro no ha sido insertado en el soporte. No hay un filtro #4 en la canasta del filtro. Filtro de tamaño incorrecto, necesita un filtro #4 en el soporte interno de la canasta del filtro
El café no está lo suficientemente caliente.	La garrafa necesita precalentamiento con agua caliente. La cafetera necesita ser descalcificada. El café usado no estaba a temperatura ambiente.
La garrafa, su tapa o la cafetera tienen un olor	Parte de la cafetera necesita limpieza. Vea las instrucciones en la sección de limpieza y descalcificación.
Derrame en la cafetera.	El agua caliente no pudo pasar por la abertura del fondo del soporte de la canasta del filtro. Retire el soporte de la canasta del filtro y límpielo completamente a mano. Revise si hay restos de café molido que estén obstruyendo el flujo. Al sacar la garrafa para tomar una taza de café, se quedó demasiada agua en la cámara de circulación de café y se derramó. Inserte la garrafa y continúe el ciclo de preparación de café. Puede haber demasiada agua en el depósito.
El cuadro de control no funciona. No se encienden las luces cuando intenta encender la cafetera.	El material que cubre al cuadro de control es a prueba de salpicaduras pero no a prueba de agua. Si el agua penetra en el cuadro de control puede ocasionar un retraso breve hasta que se seque. Los botones no funcionan algunas veces y las luces del reloj se apagan. Desconecte la cafetera y déjela secar durante varias horas.
Uno de los componentes está roto.	Llame a Servicio al cliente de Saeco al teléfono gratuito 1-800-933-7876.

Saeco Garantía Limitada

La presente garantía ampara todos los defectos de mano de obra o materiales que surjan del uso y cuidado normales en las partes mecánicas o eléctricas del producto Saeco USA, durante un período de 1 (un) año a partir de la fecha de compra. Para proporcionar el servicio de garantía es necesario presentar un comprobante de compra válido. Un comprobante de compra válido es un recibo de un vendedor autorizado en el que se especifique el artículo, fecha de compra y costo del artículo. Un recibo de regalo autorizado de un vendedor con la fecha de compra y artículo también sirve como comprobante de compra. Este producto está fabricado solamente para uso doméstico. Cualquier uso comercial anula la presente garantía.

¿Quién está amparado?

El comprador original o el recipiente del regalo que pueda proporcionar un comprobante de compra expedido por un vendedor autorizado Saeco USA.

¿Qué no está amparado?

El uso y cuidado incorrectos pueden causar daños al producto. Saeco USA no se hace responsable de ningún gasto incurrido debido a dichos daños incluyendo transporte, envío y reparaciones causadas por el uso y cuidado incorrectos.

¿Qué es lo que se hace?

Durante el período vigente de garantía en uso y cuidado doméstico normal, Saeco USA reparará o reemplazará, a discreción, cualquier parte mecánica o eléctrica que se compruebe resulte defectuosa, o reemplazará el producto por un modelo equivalente. El producto reparado o reemplazado está garantizado durante un año a partir de la fecha de compra original o 90 días, lo que sea mayor.

¿Cómo obtiene usted servicio?

Llame gratis al teléfono 1-800-933-7876 para solicitar servicio. Se emitirá una autorización de devolución cuando sea necesario. Todos los servicios de garantía deben ser llevados a cabo por Saeco USA o por un centro de servicio o distribuidor autorizado de Saeco USA. Llame a Saeco USA para mayor información. La reparación o el intento de reparación por parte de personas no autorizadas anula la presente garantía.

Los productos devueltos sin autorización no se aceptan y son regresados al remitente con cargo a éste.

EN CASO DE QUE SE NECESITE SERVICIO:

- Para obtener servicio de garantía es necesario enviar un comprobante válido de compra a Saeco USA antes de regresar el producto. Conserve una copia del comprobante de compra para su control personal.
- Es necesario tener un número de autorización de devolución de Saeco USA para obtener el servicio de garantía y éste debe escribirse claramente en la caja.
- Saeco USA no se hace responsable por pérdida o daño del producto durante el envío de devolución.
- Asegúrese de incluir todos los accesorios o componentes relacionados con el desperfecto del producto.
- Empaque el producto con cuidado. Saeco USA no se hace responsable de ningún gasto de transporte y envío.
- Para su propia protección, conserve la información de envío para rastreo en caso de pérdida o daños del equipo.

ESTA GARANTÍA LIMITADA AMPARA PRODUCTOS COMPRADOS Y USADOS DENTRO DE LOS ESTADOS UNIDOS Y NO AMPARA:

- Daños causados por una instalación incorrecta.
- Daños durante el envío.
- Defectos que no sean de fabricación.
- Daños ocasionados por el mal uso, abuso, accidente, alteración, falta de cuidado o mantenimiento adecuados, o uso con corriente o voltaje incorrectos.
- Daños ocasionados por servicio que no sea dado por un centro de servicio o distribuidor autorizado de Saeco USA. Llame a Saeco USA para mayor información.
- Cualquier costo de transporte o envío.

El fabricante no otorga ninguna garantía, expresa o implícita, incluyendo sin limitación, cualquier garantía de idoneidad o mercabilidad, excepto según lo manifestado en forma expresa anteriormente con respecto a los productos o partes descritos. El fabricante tampoco ha adquirido ninguna otra obligación o responsabilidad de su parte ni se hace responsable de cualquier utilidad anticipada o perdida, daños incidentales, daños consecuentes, o cualquier otra pérdida incurrida en conexión con la compra, instalación, reemplazo o reparación de tales productos o cualesquier partes en consecuencia ya sea del equipo original o instaladas como reemplazo amparado por esta garantía o de otra forma; y el fabricante no autoriza a ninguna persona a aceptar en nombre del fabricante ninguna otra responsabilidad en conexión con los productos o partes consecuentes. El fabricante no asume responsabilidad alguna debido al retraso en la ejecución de sus obligaciones aquí descritas si la falla resulta, directa o indirectamente, de cualquier causa fuera de su control, incluyendo, pero no limitado a causas de fuerza mayor, causas del gobierno, inundaciones, incendios, escasez de materiales, huelgas y otras dificultades laborales, o retrasos o fallas de las instalaciones de transporte. Esta garantía le otorga derechos jurídicos específicos, y usted también puede tener otros derechos que varían de un estado a otro.