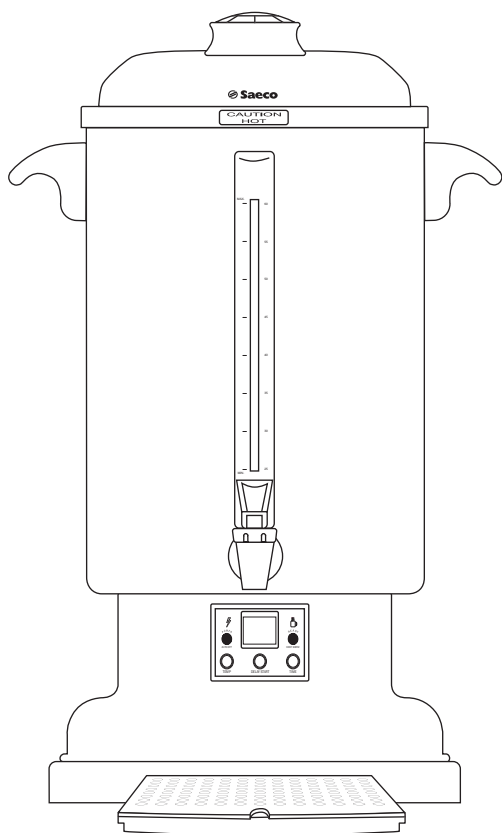


RENAISSANCE COFFEE URN

INSTRUCTION MANUAL



READ THESE OPERATING INSTRUCTIONS CAREFULLY
BEFORE USING THE MACHINE AND STORE IN A SAFE PLACE.

FOR HOUSEHOLD AND COMMERCIAL USE

Ideas with Passion

 **Saeco**

IMPORTANT SAFEGUARDS

When using electrical appliances, basic safety precautions should always be followed to reduce the risk of fire, electrical shock and / or personal injury.

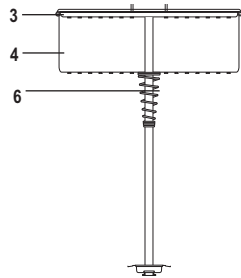
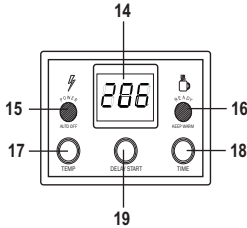
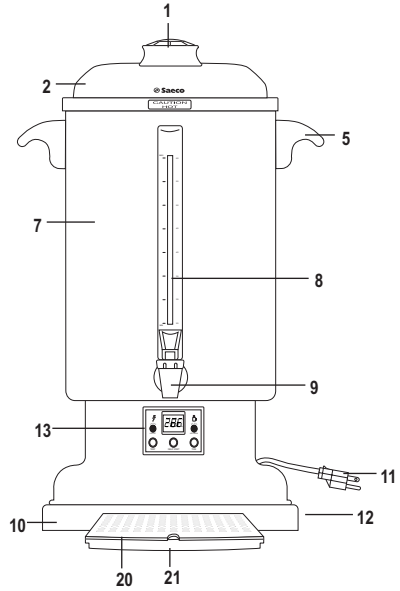
1. Read all instructions carefully.
2. Do not touch hot surfaces. Use handles or knobs.
3. Close supervision is necessary when any appliance is used by or near children.
4. To protect against fire, electric shock and / or personal injury, do not place cord, plugs or appliance in water or any other liquid.
5. Unplug from outlet when not in use and before cleaning. Allow to cool before putting on or taking off parts, and before cleaning the appliance.
6. Do not operate any appliance with a damaged cord or plug or after the appliance malfunctions, or has been damaged in any manner. Return appliance to an authorized service center for examination, repair or adjustment.
7. The use of accessory attachments is not recommended by the appliance manufacturer. It may result in fire, electric shock and / or personal injury.
8. To disconnect, remove plug from wall outlet. Always hold the plug, but never pull the cord.
9. Use extreme caution in moving the coffee urn when it contains hot liquids.
10. Do not use outdoors.
11. Do not let cord hang over edge of table or counter, or touch hot surfaces.
12. Do not place on or near a hot gas or electric burner, or in a heated or microwave oven.
13. Never use warm or hot water to fill the water reservoir. Use only cold water.
14. Make sure the cover is securely in place before brewing and when serving coffee. Scalding may occur if the cover is removed during the brewing cycle.
15. When removing or replacing the cover, be sure it is seated properly on the body, and grasp the knob carefully.
16. Do not use appliance for other than intended use.
17. This appliance is rated for both commercial and household use.
18. Always attach plug to appliance first, then plug cord into the wall outlet. To disconnect, turn any control to "OFF" then remove plug from wall outlet.
19. SAVE THESE INSTRUCTIONS

SHORT CORD INSTRUCTIONS

A short power cord is provided to reduce the risk resulting from entanglement or tripping over a longer cord. Longer detachable power supply cords are available and may be used if care is exercised in their use. If a longer detachable power cord or extension cord is used (1) the marked electrical rating of the extension cord should be at least as great as the electrical rating of the appliance, and (2) the longer cord should be arranged so that it will not drape over the countertop or table top where it can be pulled on by children or tripped over unintentionally. The electrical rating of the appliance is listed on the bottom of the unit. If the appliance is of the grounded type, the extension cord should be a grounded type 3-wire cord. This appliance has a polarized plug. One blade is wider than the other. As a safety feature, this plug will fit in a polarized outlet only one way. If the plug does not fit, contact a qualified electrician. Do not attempt to tamper with or alter this safety feature.

KNOW YOUR COFFEE URN

1. Glass Knob
2. Cover
3. Spreader
4. Basket
5. Handles
6. Pump With Spring
7. Body
8. Water Indicator Tube
9. Spigot
10. Base
11. Power Cord
12. Power Socket
13. Control Panel
14. Coffee Freshness Display
15. Power Light
16. Ready (Warm) Light
17. Temperature Control Button
18. Time Control Button
19. Delay Start Control Button
20. Cup Plate



BEFORE YOUR FIRST USE

Carefully unpack your coffee urn and remove all packaging material. To remove any dust that may have accumulated during packaging, wash the coffee urn thoroughly inside and out before using for the first time. (See "Cleaning Your Coffee Urn" section in this manual).

NOTE: We recommend that prior to percolating your first pot of coffee, you "perk" cold water only, without ground coffee. This will remove any dust that may have settled inside the coffee maker.

IMPORTANT: Use cold water only. The automatic percolating system works best with cold water.

CAUTION: Risk of fire and electric shock. Replace only with manufacturer's AC cord set.

OPERATING YOUR COFFEE URN

1. **IMPORTANT:** Never plug in the coffee urn without water or liquid inside. Remove the cover. Take out the basket, spreader and pump tube assembly. Fill the coffee urn with COLD water corresponding to the number of cups of coffee you will be making. Cup level markings are located on the water indicator tube and on the inside of the coffee urn.

NOTE: The coffee urn makes 20-60 cups. DO NOT OVERFILL OR UNDERFILL THE URN. Fill according to the markings on the water indicator tube and inside of urn for number of cups desired. Use cold water.

2. Moisten the coffee basket to keep small particles from sifting through. Add the desired amount of regular or percolator ground coffee to the basket. The following chart suggests the amount of coffee to use for medium brew amounts. It can be varied to suit personal taste and particular types of coffee :

Cups to Brew	Amount of Ground Coffee to Use (Tablespoons)	Amount of Ground Coffee to Use (Measuring Cups)
20	18-21	1
30	22-31	1½
40	32-41	2
50	42-51	2½
60	52-61	3

NOTE: 1 cup brewed coffee = 5 fluid ounces

3. Holding the top end, place the tube into the coffee urn so the bottom of the tube is properly positioned in the center of the percolation well. Fit the basket and spreader on the top of the tube. If not properly positioned, coffee may not percolate.
4. Position the drip tray and the cup plate under the base.
5. Push and snap the cover of the coffee urn with handles into place.
6. Plug the power cord into a standard 120 volt AC wall outlet. The brewing begins within seconds. You can view the percolation through the clear knob and monitor the amount of coffee through the level indicator of the front panel.
7. When the green ready light stops blinking and is on steady, the coffee is ready to serve.
8. When the coffee brewing cycle is completed and the percolating has stopped, the coffee urn automatically switches to the keep-warm cycle. The keep-warm cycle automatically activates the Coffee Freshness Display and the number "205" will change to "006" ("006" means 6 hours in keep-warm mode). For detailed information on the Coffee Freshness Display, see "Display and Control Panel".
9. If you want to reheat coffee during the keep-warm cycle, unplug the cord and then plug it into the wall outlet again.
10. **CAUTION:** Do not remove any parts before serving. The coffee urn and parts will be hot.
11. Let the coffee urn cool before cleaning. Disconnect plug from wall outlet first.
12. To make additional coffee, rinse the unit and parts with cold water and repeat steps 1-11.

DISPLAY AND CONTROL PANEL

1. The three digit display and 24-hour programmable digital timer allow the coffee urn to start at a desired time.
2. Programmable temperatures range from 155°F / 68°C to 205°F / 96°C, allowing the coffee urn to adjust to the desired temperature before, during and after brewing process.
3. The power and ready lights are illuminated during the brewing cycle. The coffee urn is on when the power (red) light is illuminated. The ready (green) light blinks until the brewing is completed. After one hour, the LED will change from "006" to "005". After 6 hours, the coffee urn will automatically shut off. The power (red) light will remain on indicating that the coffee urn is still plugged into an AC wall outlet.
4. The coffee urn set-up mode is fixed to 205°F / 96°C. When brewing is finished, the coffee urn automatically switches to the keep-warm cycle. The display will read "006" which indicates the keep warm cycle will keep the coffee warm for 6 hours. After 6 hours, the coffee urn will display "000" and then automatically shut off for safety. The keep-warm cycle can be adjusted by pressing the time button.
5. "Time" is a brewing timer. The default keep-warm time is 6 hours. The keep-warm time can be adjusted from 1 hour to 12 hours by pressing the "time" button.
6. "Temp" is the brewing temperature. The default temperature is 205°F / 96°C. The temperature can be adjusted while brewing from 155°F / 68°C to 205°F / 96°C by pressing the "temp" button.
7. "Delay Start" is a delay timer. The delay start setting ranges from 1 hour to 24 hours. The delay start can be set by doing the following:
 - Fill the coffee urn with cold water and coffee in the basket.
 - Plug the power cord into a 120 volt AC wall outlet.
 - Set the delay time by pushing "delay start" until the desired serving time is reached.

CLEANING YOUR COFFEE URN

1. **CAUTION:** Be sure to unplug this appliance before cleaning. To protect against electrical shock, do not immerse cord, plug or unit in water or liquid. After each use, always make sure the plug is first removed from the wall outlet, then remove the cord from the coffee urn. Let the coffee urn cool.
2. Use caution when removing cover and all internal parts. The internal components, coffee grounds and coffee may still be hot.
3. Wash the inside of the coffee urn with water and mild detergent. Rinse thoroughly and dry. **Never immerse the coffee urn body or base in water.**
4. The cover, basket, spreader, drip tray assembly, drip tray, cup plate and pump tube assembly may be placed in the dishwasher. When washing the pump tube, be sure that the washer, on the bottom, remains loose. If coffee grounds are caught in the pump tube, hold it under running water or use a wooden pick to remove. **Never wash the coffee urn body or base in the dishwasher.**
5. Wipe exterior with a damp cloth and dry with a towel. Do not use harsh or abrasive cleansers on the exterior of the unit. Store unit with cover off.
6. After repeated use, remove accumulation of oil and coffee stains that may cause a bitter taste with a special cleanser, such as a powdered flavor neutralizer like Dip-It® . Follow package directions. Be sure to rinse well.

